

## Compression riveters

| Model            | Product number |
|------------------|----------------|
| <b>Alligator</b> |                |
| CP0214ANBEL      | T012343        |
| CP0214ANFEL      | T018671        |
| CP0214ANGEL      | T018672        |
| CP0214ANPEL      | T019138        |
| CP0214ENBEL      | T018678        |
| CP0214ENFEL      | T018163        |
| CP0214ENCEL-5    | 6151710170     |
| CP0214ENGEL      | T018164        |
| CP0214ENPEL      | T018997        |
| <b>C-Yoke</b>    |                |
| CP0214CELEL      | T012344        |
| CP0214CEREL-5    | 6151710160     |
| CP0214CENEL      | T018677        |
| CP0214FALEL      | T013152        |
| CP0214FAREL-5    | 6151710150     |
| CP0214FANEL      | T018430        |
| CP0214FAXEL      | T022528        |
| CP0214KETEL      | T023475        |
| CP0214SETEL      | T023474        |



### WARNING



|           |                                                                                                                                                                                                                                                                                  |    |
|-----------|----------------------------------------------------------------------------------------------------------------------------------------------------------------------------------------------------------------------------------------------------------------------------------|----|
| <b>EN</b> | To reduce the risk of injury, before using or servicing tool, read and understand the following information as well as separately provided safety instructions (Item number: <b>P144632</b> ).                                                                                   | 10 |
| <b>FR</b> | <b>AVERTISSEMENT</b><br>Avant toute utilisation ou intervention sur l'outil, veuillez à ce que les informations suivantes ainsi que les instructions fournies dans le guide de sécurité (Code article : P144632) aient été lues, comprises et respectées.                        | 12 |
| <b>ES</b> | <b>ADVERTENCIA</b><br>Antes de utilizar la herramienta o intervenir sobre ella, asegúrense de que la información que figura a continuación, así como las instrucciones que aparecen en la guía de seguridad (Código artículo: P144632) han sido leídas, entendidas y respetadas. | 14 |
| <b>DE</b> | <b>WARNUNG</b><br>Werkzeuge erst benutzen, wenn die nachstehenden Hinweise und die Regeln des Sicherheitsleitfadens (Artikel-Nr. P144632) gelesen und verstanden wurden.                                                                                                         | 16 |

**WARNING**

|           |                                                                                                                                                                                                                                                  |    |
|-----------|--------------------------------------------------------------------------------------------------------------------------------------------------------------------------------------------------------------------------------------------------|----|
| <b>IT</b> | <b>AVVISO</b><br>Prima di qualsiasi utilizzazione o intervento sull'attrezzo, verificate che le informazioni che seguono e le istruzioni contenute nella guida di sicurezza (Codice articolo: P144632) siano state lette, comprese e rispettate. | 18 |
| <b>PT</b> | <b>AVISO</b><br>Antes de utilizar ou intervir na ferramenta, leia atentamente e respeite as informações seguintes assim como as instruções fornecidas no manual de segurança (Código artigo: P144632).                                           | 20 |
| <b>FI</b> | <b>VAROITUS</b><br>Lue huolellisesti seuraavat ohjeet samoin kuin turvallisuusohjeet (Tuotekoodi : P144632) ennen työkalun käyttöönottoa.                                                                                                        | 22 |
| <b>SV</b> | <b>WARNING</b><br>Läs noga igenom dessa säkerhetsinstruktioner liksom anvisningarna i säkerhetsguiden (Artikelkod: P144632) innan du börjar använda verktyget.                                                                                   | 24 |
| <b>NO</b> | <b>ADVARSEL</b><br>Før enhver bruk eller reparasjon av verktøyet skal de følgende instruksjonene og forskriftene i sikkerhetsheftet (artikkelnummer: P144632) leses nøye.                                                                        | 26 |
| <b>DA</b> | <b>VARELSE</b><br>Læs omhyggeligt, forstå og overhold disse instruktioner samt sikkerhedsforskrifterne (Varenummer: P144632), inden værktøjet tages i brug eller repareres.                                                                      | 28 |
| <b>NL</b> | <b>WAARSCHUWING</b><br>Voor gebruik of demontage van het gereedschap altijd eerst zekerstellen dat de navolgende informatie evenals de geleverde veiligheidsinstructies (Code artikel: P144632) gelezen, begrepen en in acht genomen zijn.       | 30 |

# TECHNICAL DATA

**POWER UNIT**

|          |                                        |
|----------|----------------------------------------|
| <b>C</b> | C-Type Single Cylinder CR-1 Set Holder |
| <b>F</b> | C-Type Tandem Cylinder CR-1 Set Holder |
| <b>A</b> | Alligator Type Single Cylinder         |
| <b>E</b> | Alligator Type Tandem Cylinder         |
| <b>S</b> | C-Type Single Cylinder CR-2 Set Holder |
| <b>K</b> | C-Type Tandem Cylinder CR-2 Set Holder |

**SHORT STROKE DEVICE**

|          |      |
|----------|------|
| <b>E</b> | None |
| <b>A</b> | None |
| <b>N</b> | None |

**YOKE**

|          |                                                     |
|----------|-----------------------------------------------------|
| <b>L</b> | C-Yoke 1.5' Reach CR-1 Set Holes                    |
| <b>B</b> | Alligator Jaws 1.5' Reach CR-1 Set Holes            |
| <b>F</b> | Alligator Jaws 2.25' Reach CR-1 Set Holes           |
| <b>G</b> | Alligator Jaws 2.25' Reach CR-1 Set Holes           |
| <b>T</b> | C-Yoke 1.5' Reach CR-2 Set Holes                    |
| <b>N</b> | C-Yoke Type without Yoke                            |
| <b>D</b> | Alligator Jaws 1.5' Reach CR-2 Set Holes            |
| <b>K</b> | Alligator Jaws 2.25' Reach CR-2 Set Holes           |
| <b>S</b> | Alligator Jaws 3' Reach CR-2 Set Holes              |
| <b>P</b> | Alligator Type without Jaws Only                    |
| <b>R</b> | C Yoke 2' Reach 5mm set holes Adjustable            |
| <b>X</b> | C Yoke 2.5' Reach CR-1 set holes                    |
| <b>C</b> | Alligator Yoke 2.25' Reach 5mm set holes Adjustable |

**BACKHEAD**

|          |       |
|----------|-------|
| <b>E</b> | Plain |
|----------|-------|

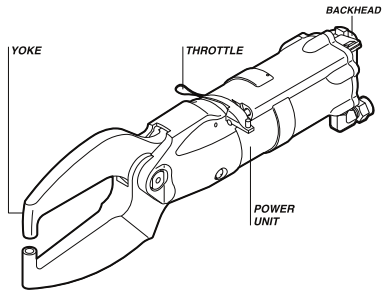
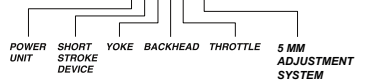
**THROTTLE**

|          |                           |
|----------|---------------------------|
| <b>L</b> | Self-Closing Safety Lever |
|----------|---------------------------|

Finding information using your Catalog Code Letter

Example:

**CP -0214 -ENFEL- 5**



Find more information and your Desoutter contacts on:

[www.desouttertools.com](http://www.desouttertools.com)

Software and documentation available at:

<https://www.desouttertools.com/resource-centre>

Exploded views and spare parts lists are available in "Service Link" at:

[www.desouttertools.com](http://www.desouttertools.com)

## TECHNICAL DATA

| Model          | Part number | Rivet capacity       |      |       |      | Max. force     |       | Moving plunger |       |                                    |       | Length |      | Weight |      |
|----------------|-------------|----------------------|------|-------|------|----------------|-------|----------------|-------|------------------------------------|-------|--------|------|--------|------|
|                |             | Hard                 |      | Light |      | 90 PSI/6.2 bar |       | Max. travel    |       | Final part of stroke at max. force |       |        |      |        |      |
|                |             | mm                   | in.  | mm    | in.  | kN             | lb    | mm             | in.   | mm                                 | in.   | mm     | in.  | kg     | lb   |
| CP0214CELEL*   | T012344     | 3.2                  | 1/8  | 2.4   | 3/32 | 13.35          | 3,000 | 14.3           | 9/16  | 1.3                                | 0.050 | 262    | 10.3 | 2.0    | 4.41 |
| CP0214CEREL-5  | 6151710160  | 3.2                  | 1/8  | 2.4   | 3/32 | 13.35          | 3,000 | 14.3           | 9/16  | 1.3                                | 0.050 | 262    | 10.3 | 2.0    | 4.41 |
| CP0214CENEL    | T018677     | Squeezer without jaw |      |       |      |                |       |                |       |                                    |       |        |      |        |      |
| CP0214SETEL**  | T023474     | 3.2                  | 1/8  | 2.4   | 3/32 | 13.35          | 3,000 | 14.3           | 9/16  | 1.3                                | 0.050 | 262    | 10.3 | 2.0    | 4.41 |
| CP0214FALEL*   | T013152     | 4.8                  | 3/16 | 4.0   | 5/32 | 26.70          | 6,000 | 14.3           | 9/16  | 1.6                                | 0.063 | 356    | 14   | 2.5    | 5.5  |
| CP0214FAREL-5  | 6151710150  | 4.8                  | 3/16 | 4.0   | 5/32 | 26.70          | 6,000 | 14.3           | 9/16  | 1.6                                | 0.063 | 356    | 14   | 2.5    | 5.5  |
| CP0214FAXEL*   | T022528     | 4.8                  | 3/16 | 4.0   | 5/32 | 26.70          | 6,000 | 14.3           | 9/16  | 1.6                                | 0.063 | 366    | 14.4 | 2.6    | 5.7  |
| CP0214FANEL    | T018430     | Squeezer without jaw |      |       |      |                |       |                |       |                                    |       |        |      |        |      |
| CP0214KETEL**  | T023475     | 4.8                  | 3/16 | 4.0   | 5/32 | 26.70          | 6,000 | 14.3           | 9/16  | 1.6                                | 0.063 | 356    | 14   | 2.5    | 5.5  |
| CP0214ANBEL*   | T012343     | 3.2                  | 1/8  | 2.4   | 3/32 | 13.35          | 3,000 | 15.9           | 5/8   | 1.3                                | 0.050 | 233    | 9.17 | 1.7    | 3.75 |
| CP0214ANFEL*   | T018671     | 2.4                  | 3/32 | 2.4   | 3/32 | 9.79           | 2,200 | 22.2           | 7/8   | 2.4                                | 0.094 | 254    | 10   | 1.9    | 4.18 |
| CP0214ANGEL*   | T018672     | 2.4                  | 3/32 | 1.6   | 1/16 | 8.01           | 1,800 | 31.8           | 1-1/4 | 1.4                                | 0.056 | 273    | 10.7 | 2.0    | 4.41 |
| CP0214ANPEL    | T019138     | Squeezer without jaw |      |       |      |                |       |                |       |                                    |       |        |      |        |      |
| CP0214ENGEL*   | T018164     | 3.2                  | 1/8  | 2.4   | 3/32 | 15.13          | 3,400 | 31.8           | 1-1/4 | 2.6                                | 0.104 | 343    | 13.5 | 2.5    | 5.51 |
| CP0214ENFEL*   | T018163     | 4.0                  | 5/32 | 3.2   | 1/8  | 19.14          | 4,300 | 22.2           | 7/8   | 2.4                                | 0.094 | 324    | 12.8 | 2.4    | 5.28 |
| CP0214ENCCEL-5 | 6151710170  | 4.0                  | 5/32 | 3.2   | 1/8  | 19.14          | 4,300 | 22.2           | 7/8   | 2.4                                | 0.094 | 324    | 12.8 | 2.4    | 5.28 |
| CP0214ENBEL*   | T018678     | 4.8                  | 3/16 | 4.0   | 5/32 | 26.70          | 6,000 | 15.9           | 5/8   | 1.6                                | 0.063 | 303    | 11.9 | 2.2    | 4.85 |
| CP0214ENPEL    | T018997     | Squeezer without jaw |      |       |      |                |       |                |       |                                    |       |        |      |        |      |

\* CR1

\*\* CR2

## AIR SUPPLY CONNECTION

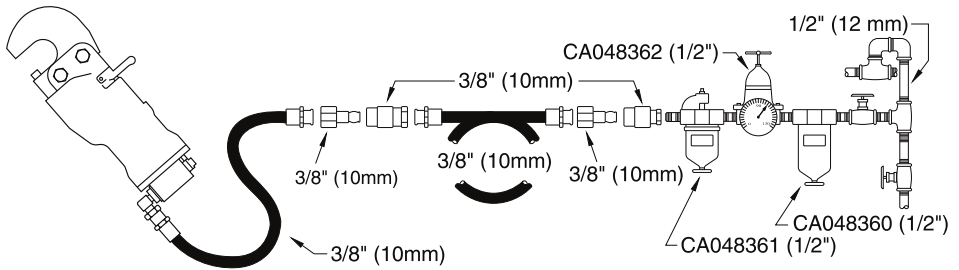


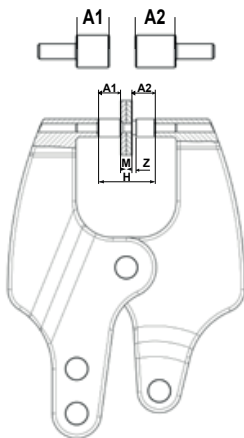
Figure 1

## RIVET SET LENGTH CALCULATION

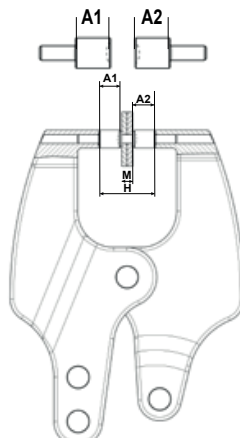
To develop maximum power, the riveter must drive (set) the rivet at the end of the riveter's stroke. For maximum power, the combined length of the two rivets sets must be of the correct length.

$$A1 + A2 = H - M - Z$$

- A1 Rivet set thickness (mobile jaw)
- A2 Rivet set thickness (fix jaw)
- H Opening at the end of the riveting
- M Total tickness of material to be assembled
- Z Height of finished rivet head (flush)

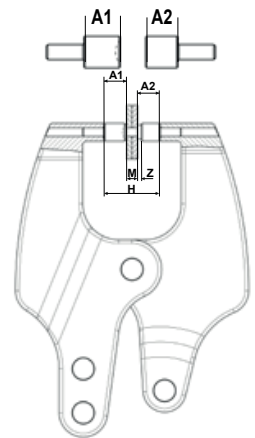


Two Flushed rivet sets



Two cupped rivet sets

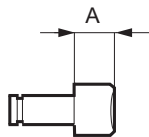
$$Z = 0$$



1 flushed rivet + cupped rivet set

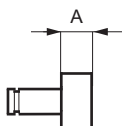
## OPTIONAL ACCESSORIES

## RIVET SET - AN-470 UNIVERSAL



| Type of rivet set shank | Part number | Rivet diameter |      | Body length A |     |
|-------------------------|-------------|----------------|------|---------------|-----|
|                         |             | mm             | in.  | mm            | in. |
| CR-1 (Ø 4.8 mm - 3/16") | P089430     | 2.4            | 3/32 | 6.4           | 1/4 |
|                         | P089431     | 2.4            | 3/32 | 9.5           | 3/8 |
|                         | P089432     | 2.4            | 3/32 | 12.7          | 1/2 |
|                         | P089435     | 3.2            | 1/8  | 6.4           | 1/4 |
|                         | P089436     | 3.2            | 1/8  | 9.5           | 3/8 |
|                         | P089437     | 3.2            | 1/8  | 12.7          | 1/2 |
|                         | P089440     | 4.0            | 5/32 | 6.4           | 1/4 |
|                         | P089441     | 4.0            | 5/32 | 9.5           | 3/8 |
|                         | P089442     | 4.0            | 5/32 | 12.7          | 1/2 |
|                         | P089445     | 4.8            | 3/16 | 6.4           | 1/4 |
|                         | P089446     | 4.8            | 3/16 | 9.5           | 3/8 |
|                         | P089447     | 4.8            | 3/16 | 12.7          | 1/2 |
| CR-2 (Ø 6.4 mm - 1/4")  | P089510     | 3.2            | 1/8  | 6.4           | 1/4 |
|                         | P089511     | 3.2            | 1/8  | 9.5           | 3/8 |
|                         | P089512     | 3.2            | 1/8  | 12.7          | 1/2 |
|                         | P089515     | 4.0            | 5/32 | 6.4           | 1/4 |
|                         | P089516     | 4.0            | 5/32 | 9.5           | 3/8 |
|                         | P089517     | 4.0            | 5/32 | 12.7          | 1/2 |
|                         | P089520     | 4.8            | 3/16 | 6.4           | 1/4 |
|                         | P089521     | 4.8            | 3/16 | 9.5           | 3/8 |
|                         | P089522     | 4.8            | 3/16 | 12.7          | 1/2 |
|                         | P089525     | 6.4            | 1/4  | 6.4           | 1/4 |
|                         | P089526     | 6.4            | 1/4  | 9.5           | 3/8 |
|                         | P089527     | 6.4            | 1/4  | 12.7          | 1/2 |

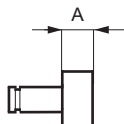
## RIVET SET - FLUSH SET FOR ANY RIVET SIZE



| Type of rivet set shank | Part number | Body length A |      |
|-------------------------|-------------|---------------|------|
|                         |             | mm            | in.  |
| CR-1 (Ø 4.8 mm - 3/16") | P089495     | 3.2           | 11/8 |
|                         | P089496     | 6.4           | 1/4  |
|                         | P089497     | 9.5           | 3/8  |
|                         | P089498     | 12.7          | 1/2  |
|                         | P089499     | 15.8          | 5/8  |
|                         | P089500     | 19            | 3/4  |
| CR-2 (Ø 6.4 mm - 1/4")  | P089501     | 6.4           | 1/4  |
|                         | P089502     | 9.5           | 3/8  |
|                         | P089503     | 12.7          | 1/2  |
|                         | P089504     | 15.8          | 5/8  |

## OPTIONAL ACCESSORIES

### SOFT SET BLANKS



| Type of rivet set shank | Part number | Body length A |     | Body diameter B |     |
|-------------------------|-------------|---------------|-----|-----------------|-----|
|                         |             | mm            | in. | mm              | in. |
| CR-1 (Ø 4.8 mm - 3/16") | P093672     | 19.1          | 3/4 | 15.9            | 5/8 |
| CR-2 (Ø 6.4 mm - 1/4")  | P093673     | 19.1          | 3/4 | 19.1            | 3/4 |

### SET LENGTH SPACER SHIMS



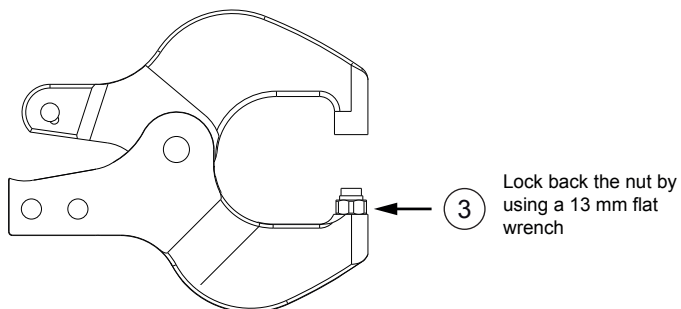
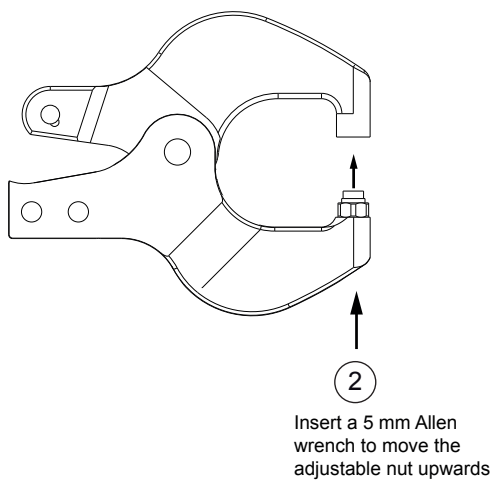
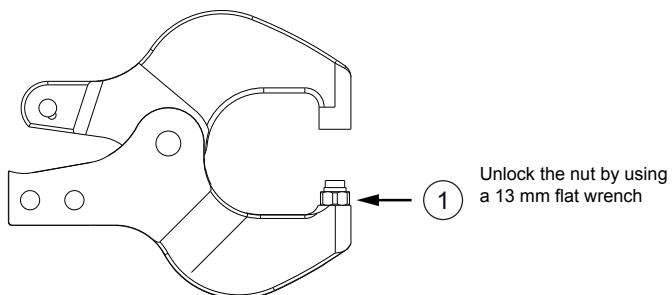
| Type of rivet set shank | Part number | Height |      |
|-------------------------|-------------|--------|------|
|                         |             | mm     | in.  |
| CR-1 (Ø 4.8 mm - 3/16") | P083254     | 0.4    | 1/64 |
|                         | P083255     | 0.8    | 1/32 |
|                         | P083256     | 1.6    | 1/16 |
| CR-2 (Ø 6.4 mm - 1/4")  | P083257     | 0.8    | 1/32 |

### RETAINER RING

| Type of rivet set shank | Part number |
|-------------------------|-------------|
| CR-1 (Ø 4.8 mm - 3/16") | P071916     |
| CR-2 (Ø 6.4 mm - 1/4")  | P071917     |



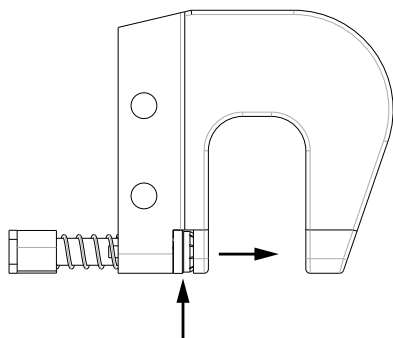
- For special rivet sets and 5mm rivet set shanks, please contact your local Desoutter representative

**ADJUSTMENT SYSTEM INSTALLATION****ALLIGATOR - 5 mm stroke**



## ADJUSTMENT SYSTEM INSTALLATION

### C-YOKE - 3 mm stroke



Move back and forth the adjustable kit by hand

**Original instructions.**

© Copyright 2020, Ets Georges Renault 44818 St Herblain, FR

All rights reserved. Any unauthorized use or copying of the contents or part thereof is prohibited. This applies in particular to trademarks, model denominations, part numbers and drawings. Use only authorized parts. Any damage or malfunction caused by the use of unauthorised parts is not covered by Warranty or Product Liability.

**STATEMENT OF USE**

Compression power tool designed for riveting using rivet set shank diameter 1/8" (3.2mm) and 3/16" (4.8mm).

No other use permitted.

For professional use only.

**AIR SUPPLY REQUIREMENTS**

The tool is designed for a working pressure of 6.2 bar (90 psig). The compressed air must be clean. The installation of a filter is recommended. For maximum efficiency and performance, comply with the specification of the air hose (antistatic hose). (Refer to figure 1 for compressed air connection).

- Supply tool with 90 psig (6.2 bar) of clean air. Higher pressure reduces tool life.
- Connect tool to air line using pipe, hose and fitting sizes shown in the diagram.

**DATA**

See page 3.

**Declaration of noise and vibration emission**

See page 33.



 Vibration levels.



Sound levels.

**a<sub>hd</sub>**, **a<sub>h</sub>**: Vibration levels.

**K / K<sub>pA</sub> = K<sub>WA</sub> = 3 dB** : Uncertainty.

**L<sub>pA</sub>** : Sound pressure level.

**L<sub>WA</sub>** : Sound power level.

All values are current as of the date of this publication. For the latest information please visit [www.desouttertools.com](http://www.desouttertools.com).

These declared values were obtained by laboratory type testing in accordance with the stated standards and are suitable for comparison with the declared values of other tools tested in accordance with the same standards. These declared values are not adequate for use in risk assessments and values measured in individual work places may be higher.

The actual exposure values and risk of harm experienced by an individual user are unique and depend upon the way the user works, the workpiece and the workstation design, as well upon the exposure time and the physical condition of the user.

We, Desoutter, cannot be held liable for the consequences of using the declared values, instead of values reflecting the actual exposure, in an individual risk assessment in a work place situation over which we have no control.

This tool may cause hand-arm vibration syndrome if its use is not adequately managed. An EU guide to managing hand-arm vibration can be found at [http://www.pneurop.eu/uploads/documents/pdf/PN3-02-NV\\_Declaration\\_info\\_sheet\\_0111.pdf](http://www.pneurop.eu/uploads/documents/pdf/PN3-02-NV_Declaration_info_sheet_0111.pdf)

We recommend a programme of health surveillance to detect early symptoms which may relate to noise or vibration exposure, so that management procedures can be modified to help prevent future impairment.

**LUBRICATION**

Use an air line lubricator with air tool oil, adjusted to two drops per minute. If an air line lubricator cannot be used, add oil to the inlet once a day.

## MAINTENANCE INSTRUCTIONS

- Disassemble and inspect high wear parts every three months.
- Replace damaged or worn parts.
- High wear parts underlined in the parts list.



The use of spare parts other than those originally supplied by the manufacturer may result in a drop in performance or in increased maintenance and level of vibration and in the full cancellation of the manufacturer's liability.



To obtain maximum efficiency from the pneumatic tool, preserve its features and avoid repeated repairs, a routine inspection and repair programme are recommended at least every 500 hours, the intervals between the various inspections depending on the amount of exertion on the power tool.



When disposing of components, lubricants, etc... ensure that the relevant safety procedures are carried out.

## DESOUTTER WARRANTY

1. This Desoutter product is warranted against defective workmanship or materials, for a maximum period of 12 months following the date of purchase from Desoutter or its agents, provided that its usage is limited to single shift operation throughout that period. If the usage rate exceeds that of single shift operation, the warranty period shall be reduced on a prorata basis.
2. If, during the warranty period, the product appears to be defective in workmanship or materials, it should be returned to Desoutter or its agents, together with a short description of the alleged defect. Desoutter shall, at its sole discretion, arrange to repair or replace free of charge such items as are deemed faulty by reason of defective workmanship or materials.
3. This warranty ceases to apply to products which have been abused, misused or modified, or which have been repaired using other than genuine Desoutter spare parts or by someone other than Desoutter or its authorized service agents.
4. Should Desoutter incur any expense correcting a defect resulting from abuse, misuse, accidental damage or unauthorized modification, they will require that such expense shall be defrayed in full.
5. Desoutter accepts no claim for labour or other expenditure made upon defective products.
6. Any direct, incidental or consequential damages whatsoever arising from any defect are expressly excluded.
7. This warranty is given in lieu of all other warranties, or conditions, expressed or implied, as to the quality, merchantability or fitness for any particular purpose.
8. No one, whether an agent, servant or employee of Desoutter, is authorized to add to or modify the terms of this limited warranty in any way.

**Instructions originales.**

© Copyright 2020, Ets Georges Renault 44818  
St Herblain, FR

Tous droits réservés. Tout usage illicite ou copie totale ou partielle sont interdits. Ceci s'applique plus particulièrement aux marques déposées, dénominations de modèles, numéros de pièces et schémas. Utiliser exclusivement les pièces autorisées. Tout dommage ou mauvais fonctionnement causé par l'utilisation d'une pièce non autorisée ne sera pas couvert par la garantie du produit et le fabricant ne sera pas responsable.

**DÉCLARATION D'UTILISATION**

Outil à compression conçu pour le rivetage à l'aide de bouterolles pour diamètres de tige de 1/8" (3.2mm) et 3/16" (4.8mm).

Aucune autre utilisation n'est autorisée.

Réservé à un usage professionnel.

**EXIGENCES APPLICABLES À L'ALIMENTATION EN AIR**

L'outil est étudié pour une pression d'utilisation de 6,2 bar (90 psig). L'air comprimé doit être propre. L'installation d'un filtre est recommandée. Pour un maximum d'efficacité et de rendement, les caractéristiques du tuyau d'alimentation en air (tuyau anti-statique) devront être respectées. (Raccordement air comprimé voir dessin N°1).

- Alimenter l'outil avec de l'air propre et sec à 6,2 bars (90 psig). Des pressions plus élevées réduisent la vie utile de l'outil.
- Raccorder l'outil à la conduite d'air avec le tube, le flexible et les raccords des dimensions indiquées sur le diagramme.

**DONNÉES**

Voir page 3.

**Niveau de bruit et émission de vibrations déclarés**

Voir page 33.



Niveaux de vibration.



Niveaux sonores.

$a_{hd}$ ,  $a_h$ : Niveaux de vibration.

$K / K_{pA} = K_{WA} = 3 \text{ dB}$ : Uncertainty.

$L_{pA}$ : Niveau de pression acoustique.

$L_{WA}$ : Niveau de puissance acoustique.

Toutes les valeurs sont celles connues à la date de publication du présent document. Pour obtenir les renseignements les plus récents, visiter le site [www.desouttertools.com](http://www.desouttertools.com)

Ces valeurs ont été obtenues par des essais en laboratoire conformément aux normes indiquées; elles ne peuvent pas être utilisées pour l'évaluation des risques.

Les valeurs mesurées sur les lieux de travail individuels peuvent être supérieures aux valeurs indiquées. Les valeurs d'exposition et le risque de préjudice réels dépendent de l'utilisateur et de sa condition physique, de la méthode de travail utilisée, de la pièce de travail, de la conception de la station de travail et du temps d'exposition.

Desoutter ne saurait être tenue responsable des conséquences de l'utilisation des valeurs ci-dessus au lieu des valeurs représentatives de l'exposition réelle, dans les études de risques individuelles sur les lieux de travail qui échappent à notre contrôle.

Cet outil peut provoquer des Troubles Musculo-Squelettiques, si son utilisation n'est pas correcte. Un guide communautaire de la prévention des TMS peut être trouvé sur le site : [http://www.pneurop.eu/uploads/documents/pdf/PN3-02-NV\\_Declaration\\_info\\_sheet\\_0111.pdf](http://www.pneurop.eu/uploads/documents/pdf/PN3-02-NV_Declaration_info_sheet_0111.pdf)

Nous recommandons un programme de surveillance de la santé pour détecter les premiers symptômes se rapportant au bruit ou à l'exposition aux vibrations, et de modifier les conditions travail pour aider à prévenir les troubles à venir.

**LUBRIFICATION**

Utiliser un lubrificateur d'air en ligne rempli d'huile pour outils pneumatiques réglé à deux gouttes par minute. S'il est impossible d'utiliser un lubrificateur d'air en ligne, ajouter de l'huile dans le raccord d'admission d'air une fois par jour.

## INSTRUCTIONS D'ENTRETIEN

- Démontez et inspectez le moteur pneumatique et l'embrayage à percussions tous les trois mois si l'outil est utilisé tous les jours.
- Remplacer les pièces usées ou endommagées.
- Les pièces soumises à une usure importante sont soulignées dans la liste des pièces.



L'utilisation de pièces détachées autres que celles d'origine peut provoquer une baisse des performances, une augmentation de l'entretien et du niveau de vibrations et peut annuler toutes les garanties vis-à-vis du constructeur.



Pour obtenir un maximum d'efficacité de l'outil pneumatique, conserver ses caractéristiques et éviter des réparations successives, il est recommandé d'établir un programme d'inspection et de réparation de cet outil toutes les 500 heures. La périodicité de ces inspections dépend de la sévérité du travail à effectuer.



Pour l'élimination des composants, lubrifiants, etc., assurez-vous que les procédures de sécurité sont respectées.

## GARANTIE DESOUTTER

1. En cas de défaut de fabrication ou de panne matérielle, le présent produit Desoutter est sous garantie pour une période maximale de 12 mois à compter de sa date d'achat auprès de Desoutter ou de ses agents, à condition que son utilisation journalière soit limitée à une journée de travail standard durant cette période. Si le taux d'utilisation est supérieur à une journée de travail standard, la période de garantie doit être réduite proportionnellement.
2. Si l'utilisateur du produit constate un défaut de fabrication ou une panne matérielle pendant la période de garantie, le produit doit être retourné à Desoutter ou à ses agents, accompagné d'une brève description du défaut allégué. Desoutter s'engage, à sa seule discrétion, à réparer ou remplacer gratuitement tout élément jugé défectueux suite à un défaut de fabrication ou à une panne matérielle.
3. La présente garantie ne s'applique pas aux produits soumis à une détérioration, un usage non conforme, à des modifications ou à une réparation effectuée à l'aide de pièces de rechange autres que les véritables pièces Desoutter ou à une réparation effectuée par une personne autre qu'un employé Desoutter ou qu'un agent gestionnaire agréé.
4. En cas de dépenses effectuées par Desoutter pour remédier à un défaut (résultant d'une détérioration, d'une utilisation non conforme, d'un dommage fortuit ou d'une modification non autorisée), celles-ci devront être intégralement remboursées.
5. Desoutter rejette toute réclamation concernant la main-d'oeuvre ou toute autre dépense occasionnée par des produits défectueux.
6. Tout dommage direct, consécutif ou fortuit causé par un défaut est expressément exclu.
7. La présente garantie remplace toute autre garantie ou condition, expresse ou tacite, relative à la qualité, la valeur marchande ou l'aptitude à un usage particulier.
8. Nul n'est autorisé à modifier les termes de la présente garantie limitée, pas même un agent ou un employé de Desoutter.

**Instrucciones originales.**

© Copyright 2020, Ets Georges Renault 44818  
St Herblain, FR

Reservados todos los derechos. Está prohibido todo uso indebido o copia de este documento o parte del mismo. Esto se refiere especialmente a marcas comerciales, denominaciones de modelos, números de piezas y dibujos. Utilicen exclusivamente piezas de repuesto autorizadas. Cualquier daño o defecto de funcionamiento causado por el uso de piezas no autorizadas queda excluido de la garantía o responsabilidad del fabricante.

**DECLARACIÓN DE USO**

La herramienta eléctrica de compresión está diseñada para remachar utilizando remaches con un diámetro del vástago de 1/8" (3.2mm) y 3/16" (4.8mm).

Cualquier otra utilización no está autorizada. Reservado para un uso profesional.

**REQUISITOS PARA SUMINISTRO DE AIRE**

La herramienta ha sido diseñada para una presión de utilización de 6,2 bar (90 psig). El aire comprimido debe estar limpio. Les recomendamos instalen un filtro. Para que la eficacia y el rendimiento sean óptimos, respeten las características de la manguera de alimentación de aire (tubo antiestático). (Conexión aire comprimido véase dibujo N° 1).

- El aire de alimentación de la herramienta debe suministrarse limpio y seco, y a 90 psig (6,2 bares) de presión. Valores superiores de presión reducirán la vida útil de la herramienta.
- Conectar la herramienta a la línea de aire, usando el tubo, la manguera y los accesorios de las medidas indicadas en el diagrama.

**DATOS TÉCNICOS**

Véase página 3.

**Declaración de valores de ruido y vibración**

Véase página 33.



Niveles de vibraciones.



Niveles sonoros.

**a<sub>hd</sub>, a<sub>h</sub>**: Niveles de vibraciones.

**K / K<sub>pA</sub> = K<sub>WA</sub> = 3 dB**: Incertidumbre.

**L<sub>pA</sub>**: Nivel de presión sonora.

**L<sub>WA</sub>**: Nivel de potencia sonora.

Todos los valores son correctos en el momento de la publicación. Para conocer la última información, visite [www.desouttertools.com](http://www.desouttertools.com).

Estos valores declarados se obtuvieron en pruebas de laboratorio en cumplimiento con las normas establecidas y no son adecuados para utilizarse en evaluaciones de riesgos. Los valores medidos en lugares de trabajo individuales podrían ser más altos que los valores declarados.

Los valores de exposición reales y el riesgo de peligro experimentado por un usuario individual son únicos y dependen del hábito de trabajo del usuario, la pieza en la que se está trabajando y el diseño de la estación de trabajo, además del tiempo de exposición y las condiciones físicas del usuario.

Nosotros, Desoutter, no podemos aceptar responsabilidad por las consecuencias de utilizar los valores declarados en lugar de los valores que reflejan la exposición real en una evaluación de riesgo individual y en una situación de lugar de trabajo sobre los que no tenemos ningún control.

Esta herramienta puede provocar síndrome de vibración. Si no se gestiona adecuadamente su utilización.

Encontrará una guía de la UE respecto a la gestión de vibraciones transmitidas al sistema manobrazo en la página [http://www.pneurop.eu/uploads/documents/pdf/PN3-02-NV\\_Declaration\\_info\\_sheet\\_0111.pdf](http://www.pneurop.eu/uploads/documents/pdf/PN3-02-NV_Declaration_info_sheet_0111.pdf)

Se recomienda mantener un programa de control sanitario de detección precoz de los síntomas relacionados con la exposición a vibraciones, con objeto de modificar los procedimientos de gestión y así evitar posibles discapacidades.

## LUBRICACIÓN



Usar lubricador de línea neumática con lubricación de herramienta neumática regulada a dos gotas por minuto. Si no fuera posible utilizar un lubricador de línea, agregar aceite a la entrada del circuito neumático una vez por día.

## INSTRUCCIONES DE MANTENIMIENTO

- Si la herramienta se usa diariamente, desarmar e inspeccionar cada tres meses el motor neumático y el embrague.
- Cambiar las partes desgastadas o averiadas.
- En la lista de partes, las piezas de alto desgaste figuran subrayadas.



La utilización de recambios que no sean los de origen puede provocar una disminución del rendimiento, un mayor mantenimiento y nivel de ruidos. Puede anular todo tipo de garantía por parte del constructor.



Para conseguir la mayor eficacia por parte de la herramienta neumática, para que conserve sus características y evitar repetidas reparaciones, les recomendamos establezcan un programa de inspección y reparación de dicha herramienta cada 500 horas. La periodicidad de dichas inspecciones depende de lo duro que sea el trabajo que tienen que efectuar.



Para la eliminación de los componentes, lubricantes, etc... comprueben que las normas de seguridad han sido respetadas.

## GARANTÍA DE DESOUTTER

1. Este producto Desoutter está garantizado frente a materiales o mano de obra defectuosos durante un período máximo de 12 meses a partir de la fecha de compra, ya sea ésta a Desoutter o a cualquiera de sus agentes, siempre que su uso esté limitado a un turno de trabajo sencillo durante dicho periodo. Si el promedio de uso excediera el de un turno de trabajo sencillo, el período de garantía se reduciría por prorrateo.
2. Si durante el período de la garantía, el producto mostrara defectos de materiales o mano de obra, lo deberá devolver a Desoutter o a cualquiera de sus agentes junto con una breve descripción del defecto. Desoutter decidirá, a su sola discreción, reparar o sustituir de forma gratuita los elementos que considere conflictivos debido a materiales o mano de obra defectuosos.
3. Esta garantía dejará de aplicarse a productos en los que se haya realizado un uso abusivo o inadecuado, o que se hayan reparado o modificado utilizando piezas de repuesto distintas a las originales de Desoutter, o por alguien que no pertenezca a Desoutter o a sus agentes de servicio autorizados.
4. Si Desoutter incurriera en gastos debidos a la corrección de defectos causados por uso abusivo, inadecuado, daño accidental o modificación no autorizada, éstos se deberán reembolsar en su totalidad a Desoutter.
5. Desoutter no acepta ninguna reclamación en concepto de mano de obra u otros gastos efectuados sobre productos defectuosos.
6. Queda expresamente excluido cualquier daño directo, fortuito o resultante cuyo origen se encuentre en cualquier defecto.
7. Esta garantía se otorga en lugar de cualquier otra garantía o condiciones, expresas o implícitas, en cuanto a la calidad, comerciabilidad o conveniencia para cualquier fin en particular.
8. Ningún agente, ayudante o empleado de Desoutter está autorizado a añadir o modificar los términos de esta garantía limitada en modo alguno.

**Ursprüngliche Betriebsanleitung.**

© Copyright 2020, Ets Georges Renault 44818  
St Herblain, FR

Alle Rechte vorbehalten. Unbefugtes Verwenden oder Kopieren des Inhalts bzw. von Teilen des Inhalts ist verboten. Dies gilt insbesondere für Warenzeichen, Modellbezeichnungen, Teilenummern und Zeichnungen. Nur die zugelassenen Ersatzteile verwenden. Schäden oder Funktionsstörungen, die durch die Verwendung nicht zugelassener Ersatzteile entstehen, sind von der Garantieleistung und der Produkthaftung ausgeschlossen.

**NUTZUNGSHINWEISE**

Kompressionsdruckgerät für Nietarbeiten, das einen Döpper-Schaftdurchmesser von 1/8" (3.2mm) und 3/16" (4.8mm) verwendet. Andere oder darüber hinausgehende Benutzung gilt als nicht bestimmungsgemäß. Nur für den industriellen Einsatz.

**DRUCKLUFTANSCHLUSS**

Das Werkzeug ist für einen Betriebsdruck von 6,2 bar (90 psig) ausgelegt. Die Druckluft muß sauber sein. Es wird empfohlen, einen Filter einzubauen. Um ein Höchstmaß an Produktivität und Betriebszuverlässigkeit zu erzielen, sind die technischen Daten der Druckluftleitung einzuhalten. (Druckluftanschluß siehe Bild 1).

- Für den Betrieb des Werkzeugs ist saubere, trockene Druckluft mit einem Druck von 6,2 bar/90 psig erforderlich. Überschreiten dieses Wertes verkürzt die Lebensdauer des Werkzeugs.
- Die für den Anschluß des Werkzeugs an der Druckluftversorgung geeigneten Rohr-, Schlauch- und Armaturengrößen sind dem Schema zu entnehmen.

**DATEN**

Siehe Seite 3.

**Erklärung zu Geräuschemission und Vibration**

Siehe Seite 33.



Vibrationspegel.



Geräuschpegel.

**a<sub>hd</sub>**, **a<sub>h</sub>**: Vibrationspegel.

**K / K<sub>pA</sub> = K<sub>WA</sub> = 3 dB**: Unsicherheit.

**L<sub>pA</sub>**: Schalldruckpegel.

**L<sub>WA</sub>**: Schalleistungspegel.

Alle Werte sind zum Zeitpunkt dieser Veröffentlichung auf dem aktuellen Stand. Neueste Informationen finden Sie unter Die genannten Werte wurden durch Tests gemäß den angegebenen Normen unter Laborbedingungen ermittelt und sind nicht ausreichend für Risikoanalysen.

Die tatsächlichen Meßwerte am Einsatzort können je nach Umgebung auch höher ausfallen. Die konkrete Belastung und das Gesundheitsrisiko des Benutzers sind von Person zu Person verschieden und hängen von den Arbeitsgewohnheiten, dem Werkstück und der Gestaltung des Arbeitsplatzes sowie von der Belastungsdauer und dem Gesundheitszustand des Benutzers ab.

Wir, die Desoutter, haften nicht für die Folgen einer Anwendung der genannten Werte anstelle von Meßwerten der tatsächlichen Belastungswerte in einer Risikoanalyse für einen konkreten Arbeitsplatz, der sich unserer Einflußnahme entzieht.

Dieses Werkzeug kann das Hand-Arm-Vibrations-Syndrom auslösen, sofern sein Gebrauch nicht in ausreichendem Maße geregelt wird. Ein EU-Leitfaden zur Regelung von Hand-Arm Vibrationen steht im Internet zur Verfügung: [http://www.pneurop.eu/uploads/documents/pdf/PN3-02-NV\\_Declaration\\_info\\_sheet\\_0111.pdf](http://www.pneurop.eu/uploads/documents/pdf/PN3-02-NV_Declaration_info_sheet_0111.pdf)  
Wir empfehlen ein Programm zur Gesundheitsüberwachung, durch welches frühe Symptome erkannt werden können, welche auf die Vibrationsexposition zurückgeführt werden könnten, so dass die Abläufe der Maßnahmen daraufhin so geändert werden können, dass zukünftige Beeinträchtigungen vermieden werden.



## SCHMIERUNG



Zur Schmierung ist ein in der Leitung montierter Öler sowie Druckluftmaschinenöl zu verwenden. Die Ölzufuhr ist auf zwei Tropfen pro Minute einzustellen. Ist der Einsatz eines leitungsmontierten Ölbers nicht möglich, einmal täglich Öl direkt in den Lufteinlaß am Werkzeug träufeln.

## WARTUNGSANLEITUNG

- Bei täglicher Benutzung des Werkzeugs den Druckluftmotor und die Schlagwerkskupplung alle drei Monate auseinanderbauen und prüfen.
- Schadhafte und abgenutzte Teile auswechseln.
- Teile, die starker Abnutzung unterliegen, sind auf der Teileliste unterstrichen.



Der Einsatz fremder, nicht vom Hersteller gelieferter Ersatzteile hat eine Leistungsminderung zur Folge und schließt jeden Garantiesanspruch aus.



Um ein Höchstmaß an Leistung des Druckluftwerkzeuges zu erzielen, seine Eigenschaften zu bewahren und wiederholte Reparaturen zu vermeiden, wird alle 500 Betriebsstunden ein Inspektions- und Wartungsprogramm empfohlen, wobei die Häufigkeit der einzelnen Kontrollen von der Schwere der Betriebsbedingungen abhängt.



Zur Entsorgung der Komponenten, Betriebsstoffe, etc. die einschlägigen Vorschriften beachten.

## DESOUTTER-GARANTIE

1. Die Garantie für dieses Desoutter-Produkt gilt für Ausführungsängel und Materialfehler. Ab dem Datum des Kaufs bei Desoutter oder dessen Vertreter beträgt die Garantiezeit maximal 12 Monate, sofern die Nutzung des Produkts in dieser Zeit auf den Einschichtbetrieb beschränkt ist. Überschreitet die Nutzungshäufigkeit die des Einschichtbetriebs, verkürzt sich die Garantiezeit anteilig.
2. Wird während der Garantiezeit ein Ausführungsängel oder Materialfehler vermutet, ist das Produkt zusammen mit einer kurzen Beschreibung des vermuteten Fehlers an Desoutter oder einen seiner Vertreter zurückzuschicken. Desoutter veranlasst nach eigenem Ermessen die kostenlose Reparatur oder Erneuerung von Komponenten, die aufgrund von Ausführungsängeln oder Materialfehlern als defekt angesehen werden.
3. Diese Garantie gilt nicht mehr für Produkte, die unsachgemäß behandelt oder geändert wurden oder die unter Verwendung anderer als Desoutter-Originalersatzteile oder von jemand anderem als Desoutter oder seinen autorisierten Servicevertretern repariert wurden.
4. Falls Desoutter durch die Beseitigung eines durch unsachgemäße Behandlung, versehentliche Beschädigung oder unzulässige Änderung verursachten Mangels Kosten entstehen, wird deren vollständige Begleichung gefordert.
5. Forderungen in Bezug auf Arbeits- und sonstige Kosten, die im Zusammenhang mit defekten Produkten gestellt werden, werden von Desoutter nicht akzeptiert.
6. Die Entschädigung für infolge eines Mangels entstandene direkte, beiläufige oder Folgeschäden wird ausdrücklich ausgeschlossen.
7. Diese Garantie wird anstelle aller anderen ausdrücklichen oder konkludenten Garantien oder Bedingungen in Bezug auf die Qualität, die Handelstauglichkeit oder die Eignung für einen bestimmten Zweck gewährt.
8. Weder Vertreter noch Mitarbeiter von Desoutter sind befugt, die Bedingungen dieser begrenzten Garantie in irgendeiner Weise zu ergänzen oder zu ändern.

**Istruzioni originali.**

© Copyright 2020, Ets Georges Renault 44818  
St Herblain, FR

Tutti i diritti riservati. E' vietata la riproduzione totale o anche solo parziale del presente documento salvo previa autorizzazione, specialmente per quanto concerne i marchi depositati, le denominazioni dei modelli, i numeri di codice e le illustrazioni. Si raccomanda di impiegare esclusivamente pezzi di ricambio autorizzati. Gli eventuali danni o difetti di funzionamento dovuti all'uso di pezzi di ricambio non autorizzati non sono coperti dalla garanzia e il fabbricante non sarà ritenuto responsabile.

**DICHIARAZIONE D'USO**

Utensili elettrici di compressione progettati per la chiodatura che utilizzano diametri del codolo del kit di chiodatura di 1/8" (3.2mm) e 3/16" (4.8mm). Non è autorizzato nessun altro uso. Riservato per uso professionale.

**REQUISITI PER L'ALIMENTAZIONE DELL'ARIA**

L'attrezzo è studiato per una pressione di utilizzazione di 6,2 bar (90 psig). L'aria compressa deve essere pulita. Si raccomanda l'installazione di un filtro. Per un massimo di efficacia e di rendimento, dovranno essere rispettate le caratteristiche del tubo di alimentazione d'aria. (Raccordo aria compressa vedere disegno N°1).

- Fornire all'utensile aria asciutta e pulita ad una pressione di 6,2 bar (90 psig). Una pressione maggiore riduce la durata in servizio dell'utensile.
- Collegare l'utensile alla linea dell'aria con un tubo rigido, un tubo flessibile e raccordi delle dimensioni indicate nello schema.

**DATI**

Vedere pagina 3.

**Dichiarazione relativa al rumore e alle vibrazioni**

Vedere pagina 33.



Livelli di vibrazione.



Livelli sonori.

**a<sub>hd</sub>, a<sub>h</sub>**: Livelli di vibrazione.

**K / K<sub>pA</sub> = K<sub>WA</sub> = 3 dB**: Incertezza.

**L<sub>pA</sub>**: Livello di pressione acustica.

**L<sub>WA</sub>**: Livello di potenza acustica.

Tutti i valori sono vigenti alla data della presente pubblicazione. Per informazioni più recenti, visitare [www.desouttertools.com](http://www.desouttertools.com).

I valori dichiarati sono stati ottenuti da test eseguiti in laboratorio in conformità con le norme stabilite e non sono adeguati per l'uso nella valutazione dei rischi. I valori rilevati in determinati luoghi lavorativi possono essere superiori ai valori dichiarati.

I valori di esposizione reali e il rischio di pericolo a cui il singolo utente è soggetto sono esclusivi e dipendono dal modo in cui la persona lavora, dal pezzo in lavorazione e dalla struttura dell'area di lavoro, nonché dai tempi di esposizione e dalle condizioni fisiche dell'utente.

Noi, Desoutter, non possiamo essere ritenuti responsabili per le conseguenze derivanti dall'uso dei valori dichiarati, anziché di valori che riflettono l'esposizione effettiva, nella specifica valutazione di eventuali rischi in un luogo lavorativo su cui non abbiamo alcun controllo.

Se non utilizzato in modo idoneo, questo utensile può provocare la sindrome da vibrazioni manobraccio. Per una guida UE sulla gestione delle vibrazioni mano-braccio, consultare l'indirizzo internet [http://www.pneurop.eu/uploads/documents/pdf/PN3-02-NV\\_Declaration\\_info\\_sheet\\_0111.pdf](http://www.pneurop.eu/uploads/documents/pdf/PN3-02-NV_Declaration_info_sheet_0111.pdf)

Si raccomanda l'adozione di un programma di controllo sanitario finalizzato a individuare i primi sintomi di un'eventuale esposizione alle vibrazioni, affinché sia possibile modificare le procedure di gestione e aiutare a prevenire disabilità significative.

## LUBRIFICAZIONE



Usare un lubrificatore ad aria con una regolazione per l'olio di due gocce al minuto. Se non si può usare un lubrificatore ad aria, aggiungere l'olio manualmente una volta al giorno.

## ISTRUZIONI PER LA MANUTENZIONE

- Se l'utensile si usa ogni giorno, smontare e ispezionare il motore ad aria e la frizione ogni tre mesi.
- Sostituire eventuali parti danneggiate o usurate.
- Le parti maggiormente soggette a usura sono sottolineate nell'apposito elenco.



L'utilizzazione di pezzi di ricambio differenti da quelli di origine può provocare una diminuzione delle prestazioni, un aumento della manutenzione e può annullare tutte le garanzie del costruttore.



Per ottenere un massimo di efficacia dell'attrezzo pneumatico, conservare le sue caratteristiche ed evitare riparazioni successive, si raccomanda di stabilire un programma di ispezione e di riparazione di questo attrezzo. La periodicità di queste ispezioni dipende dalla severità del lavoro da effettuare ogni 500 ore.



Per l'eliminazione degli elementi, lubrificanti, ecc... accertatevi che siano rispettate le procedure di sicurezza.

## GARANZIA DESOUTTER

1. Questo prodotto Desoutter è garantito da difetti di lavorazione o dei materiali per un periodo massimo di 12 mesi a partire dalla data di acquisto presso Desoutter o i suoi rappresentanti, purché il suo impiego sia stato limitato a un unico turno per tutto quel periodo. Se il ritmo di impiego supera il funzionamento durante un unico turno, la durata della garanzia deve essere ridotta in modo proporzionale.
2. Se durante il periodo della garanzia il prodotto presenta difetti di lavorazione o dei materiali, esso deve essere restituito a Desoutter o ai suoi rappresentanti, unitamente a una breve descrizione del presunto difetto. Desoutter deciderà, a sua discrezione, se dare disposizioni per la riparazione o sostituzione a titolo gratuito dei componenti che ritiene essere difettosi, quale risultato di difetti di lavorazione o dei materiali.
3. Questa garanzia non è valida per quei prodotti che sono stati usati in modo improprio o impropriamente modificati, o che sono stati riparati usando ricambi non originali Desoutter e non da Desoutter o dai suoi rappresentanti autorizzati.
4. Qualora Desoutter dovesse andare incontro a spese per riparare un guasto causato da cattivo uso, uso improprio, danni accidentali o modifica non autorizzata, essa richiederà il rimborso totale di tale spesa.
5. Desoutter non accetta nessuna richiesta di risarcimento per spese di manodopera o di altro tipo causate da prodotti difettosi.
6. Si escludono espressamente danni diretti, incidentali o indiretti di qualsiasi tipo dovuti a qualsiasi difetto.
7. Questa garanzia viene data al posto di ogni altra garanzia o condizione, espressa o implicita, riguardante la qualità, commerciabilità o idoneità per qualsiasi scopo particolare.
8. Nessuno, rappresentanti, dipendenti o impiegati di Desoutter, è autorizzato ad ampliare o modificare, in qualsiasi modo, i termini di questa garanzia limitata.

**Instruções originais.**

© Copyright 2020, Ets Georges Renault 44818  
St Herblain, FR

Todos os direitos são reservados. É proibida qualquer utilização ilícita ou cópia total ou parcial. Isto aplica-se particularmente a marcas registradas, denominações de modelos, número de peças e desenhos. Utilizar apenas peças autorizadas. Qualquer dano ou funcionamento defeituoso provocado pela utilização de peças não autorizadas não será coberto pela garantia do produto e o fabricante não será responsável.

**DECLARAÇÃO DE UTILIZAÇÃO**

Ferramenta eléctrica de compressão concebida para rebiteagem utilizando o diâmetro da haste de definição do rebite de 1/8" (3.2mm) e 3/16" (4.8mm).

Não é autorizada nenhuma outra utilização.

Reservado a uso profissional.

**REQUISITOS PARA SUPRIMENTO DE AR**

A ferramenta foi estudada para uma pressão de utilização de 6,2 bar (90 psig). O ar comprimido deve ser limpo. É aconselhável instalar um filtro. Para eficácia e rendimento máximos, as características do tubo de alimentação em ar (tubo anti-estática) devem ser respeitadas. (Ligação de ar comprimido ver desenho N°1).

- Forneça 90 psig (6.2 bar) de ar limpo e seco. Uma pressão maior reduzirá a vida útil da ferramenta.
- Faça a conexão da ferramenta ao filete de ar utilizando os tamanhos de tubulação, manguieras e ligações fornecidas no diagrama.

**DADOS**

Ver página 3.

**Declaração de Ruído e Vibração**

Ver página 33.



Níveis de vibração.



Níveis sonoros.

**a<sub>hd</sub>, a<sub>h</sub>** : Níveis de vibração.

**K / K<sub>pA</sub> = K<sub>WA</sub> = 3 dB** : Incerteza.

**L<sub>pA</sub>** : Nível de pressão acústica.

**L<sub>WA</sub>** : Nível de potência acústica.

Todos os valores são atuais conforme data desta publicação. Para as informações mais recentes favor consultar [www.desouttertools.com](http://www.desouttertools.com).

Estes valores declarados foram obtidos por teste feito em laboratório de acordo com os padrões estipulados e não se destinam para utilização em avaliações de risco. Os valores medidos nos locais individuais de trabalho podem ser maiores que os valores declarados.

Os valores reais de exposição e o risco de ferimento sentidos por um usuário são específicos e dependem da maneira em que o usuário trabalha, da peça e do design da estação de trabalho, bem como do tempo de exposição e da condição física do usuário.

Nós da Desoutter, não podemos nos responsabilizar pelas consequências causadas pelos valores declarados, ao invés dos valores que refletem a exposição real, e pela avaliação de risco individual em um ambiente de trabalho sobre o qual não temos controle.

Esta ferramenta pode provocar o síndrome de vibração das mãos e braços, caso não seja manuseada de forma adequada. Pode encontrar um guia da UE sobre a vibração das mãos e braços em [http://www.pneurop.eu/uploads/documents/pdf/PN3-02-NV\\_Declaration\\_info\\_sheet\\_0111.pdf](http://www.pneurop.eu/uploads/documents/pdf/PN3-02-NV_Declaration_info_sheet_0111.pdf)

Recomendamos um programa de vigilância médica para detectar atempadamente sintomas, que possam estar relacionados com a exposição à vibração, para que os procedimentos de manuseamento possam ser modificados, por forma a ajudar a evitar prejuízos futuros.

## LUBRIFICAÇÃO



Utilize um lubrificador de filete de ar que contenha óleo para ferramenta a ar ajustado em duas gotas por minuto. Se um lubrificador não puder ser utilizado, acrescente óleo na entrada uma vez por dia.

## INSTRUÇÕES DE MANUTENÇÃO

- Desmonte e inspecione o motor da embreagem de impacto a cada três meses, caso esta ferramenta seja usada diariamente.
- Substitua peças danificadas ou desgastadas.
- As peças de maior utilização encontram-se sublinhadas na lista de peças.



A utilização de peças sobressalentes diferentes das peças de origem pode provocar uma baixa dos desempenhos, um aumento da manutenção e do nível de vibrações e pode anular todas as garantias perante o construtor.



Para obter o máximo de eficácia da ferramenta pneumática, conservar suas características e evitar as reparações sucessivas, é aconselhável definir um programa de inspeção e de reparação desta ferramenta cada 500 horas. A periodicidade dessas inspeções depende da severidade do trabalho a efetuar.



Para a eliminação dos componentes, lubrificantes, etc. certificar-se que os processos de segurança são respeitados.

## GARANTIA DESOUTTER

1. Este produto Desoutter está garantido contra defeito de fabrico ou de material, durante um período máximo de 12 meses a contar da data de compra à Desoutter ou a um dos seus agentes, com a condição de que a utilização do produto se tenha limitado ao funcionamento em turno único durante esse período. Caso a utilização tenha ultrapassado os limites do funcionamento em turno único, o período de garantia será reduzido proporcionalmente.
2. Caso o produto apresente sinais de defeito de fabrico ou de material durante o período de garantia, deverá ser devolvido à Desoutter ou a um dos seus agentes, juntamente com uma breve descrição do suposto defeito. Ficará a critério exclusivo da Desoutter a decisão de reparar ou substituir gratuitamente os artigos considerados defeituosos devido a erro de fabrico ou de material.
3. A presente garantia não se aplicará a produtos que tenham sido submetidos a abuso, utilização incorrecta ou modificações, ou que tenham sido reparados com outras peças que não as peças sobressalentes genuínas Desoutter, ou por outro agente que não o próprio fabricante Desoutter ou um técnico de reparações autorizado pelo mesmo.
4. Caso a Desoutter incorra em alguma despesa na reparação de uma falha resultante de abuso, utilização incorrecta, dano accidental ou modificação não autorizada, tal despesa deverá ser liquidada na íntegra.
5. A Desoutter não aceita qualquer reclamação relativa a mão-de-obra ou despesas de outra natureza, que diga respeito a produtos defeituosos.
6. Quaisquer danos directos, accidentais ou consequenciais que decorram de qualquer defeito estão expressamente excluídos.
7. A presente garantia substitui todas as demais garantias ou condições, expressas ou implícitas, no que respeita a qualidade, viabilidade comercial ou adequação do produto a qualquer finalidade específica.
8. Nenhuma pessoa, seja agente, empregado ou funcionário da Desoutter, está autorizada a fazer aditamentos ou modificar os termos desta garantia limitada, seja de que forma for.

**Alkuperäiset ohjeet.**

© Copyright 2020, Ets Georges Renault 44818  
St Herblain, FR

Kaikki oikeudet pidätetään. Sisällön tai sen osien luvaton käyttö tai kopiointi on kielletty. Tämä koskee erityisesti tavaramerkkejä, mallimerkintöjä, osanumeroita ja piirustuksia. Käytä ainoastaan alkuperäisiä osia. Takuu tai tuotevastuu ei kata muiden kuin alkuperäisten osien käytöstä aiheutunutta vahinkoa tai vikaa.

**KÄYTTÖILMOITUS**

Puristustyökalu nitomiseen käyttämällä nitomissarjan vartta halkaisijalla 1/8" (3.2mm) ja 3/16" (4.8mm).

Muunlainen käyttö on kielletty.

Tarkoitettu ammattikäyttöön.

**KÄYTETTÄVÄÄN PAINELMAAN  
LIITTYVÄT VAATIMUKSET**

Työkalu on suunniteltu käytettäväksi 6,2 bar (90 psig) paineella. Paineilman on oltava puhdasta. Suodattimen asennus on suositeltavaa. Maksimitehon ja -suorituksen aikaansaamiseksi ilmaletkua (antistaattinen letku) koskevia suosituksia on noudatettava. (Paineilman liitos, katso kuva nro 1).

- Käytä työkalun käyttövoimana 90 psig (6,2 bar) puhdasta, kuivaa ilmaa. Suuremmat paineet lyhentävät työkalun käyt. torkää.
- Liitä työkalu paineilmalähteeseen käyttämällä kaaviossa mainittuja putki-, letku- ja liitinkokoja.

**TIEDOT**

Ks. sivu 3.

**Melu ja värinäseloste**

Ks. sivu 33.



Värähtelytaso.



Melutaso.

**a<sub>hd</sub>, a<sub>h</sub>** : Värähtelytaso.

**K / K<sub>pA</sub> = K<sub>WA</sub> = 3 dB** : Epävarmuus.

**L<sub>pA</sub>** : Äänenpainetaso.

**L<sub>WA</sub>** : Äänen tehotaso.

Kaikki arvot ovat ajankohtaisia tämän julkaisun päivämääränä. Katso uusimmat tiedot osoitteesta [www.desouttertools.com](http://www.desouttertools.com).

Tässä ilmoitettut arvot on saatu mainittujen normien mukaisissa laboratoriotesteissä. Ne eivät riitä riskien määrittämiseen. Yksittäisissä työpisteissä mitatut arvot voivat olla selosteessa mainittuja arvoja suuremmat.

Todelliset altistusarvot ja yksilöön kohdistuvat haitalliset vaikutukset ovat yksilöllisiä. Ne riippuvat työskentelytavasta, työstettävästä kappaleesta, työaseman rakenteesta, altistusajasta ja käyttäjän terveydentilasta. Sen vuoksi Desoutter ei voi olla vastuussa tässä ilmoitettujen arvojen käytöstä (todellisten altistusarvojen sijasta) työpisteessä vallitsevan yksilöllisen riskin määrittämiseen ja siitä aiheutuvista seuraamuksista, olosuhteissa, joihin emme voi millään tavalla vaikuttaa.

Tämä työkalu saattaa aiheuttaa käden ja käsivarren HAV-oireyhtymän ellei sitä käytetä ohjeiden mukaisesti. EU-ohje HAV-oireyhtymän käsittelemiseksi löytyy osoitteesta [http://www.pneurop.eu/uploads/documents/pdf/PN3-02-NV\\_Declaration\\_info\\_sheet\\_0111.pdf](http://www.pneurop.eu/uploads/documents/pdf/PN3-02-NV_Declaration_info_sheet_0111.pdf)

Suosittamme säännöllisiä terveystarkastuksia tärinäaltistuksen aiheuttamien, tärinäsairauteen viittaavien oireiden havaitsemiseksi ajoissa, jotta työnohjauksella ja työympäristöön vaikuttavilla toimilla voidaan estää oireiden paheneminen tulevaisuudessa.

## VOITELEMINE



Käytä paineilmavoitelua, jossa voiteluöljyn määrä on 2 tippaa minuutissa. Jos paineilmavoitelua ei voida käyttää, lisää öljyä paineilman tuloliittimeen kerran päivässä.

## HUOLTO-OHJEET

- Jos käytät laitetta päivittäin, pura ja tarkista paineilmamoottori ja iskukytin kolmen kuukauden välein.
- Vaihda vaurioituneet tai kuluneet osat.
- Nopeasti kuluvat osat on alleviivattu varaosaluettelossa.



Muiden kuin alkuperäisten varaosien käyttö saattaa aiheuttaa suorituskyvyn laskua, huoltotarpeen ja värinätason lisääntymistä ja mitätöidä kaikki valmistajan antamat takuut.



Paineilmatyökalun maksimitehon saavuttamiseksi, teho-ominaisuuksien säilyttämiseksi sekä turhien korjausten välttämiseksi työkalulle on suositeltavaa tehdä rutiinitarkastus- ja laatia korjausohjelma 500 käyttötunnin välein. Tarkastustiheys riippuu työn vaikeusasteesta.



Komponenttien, jäteöljyjen jne. hävittämisessä on noudatettava turvallisuusmääräysten mukaista käytäntöä.

## DESOUTTER-TAKUU

1. Tällä Desoutter-tuotteella on takuu, joka kattaa valmistus- ja materiaaliiviat enintään 12 kuukauden ajan siitä, kun tuote on ostettu Desoutter:ltä tai sen jälleenmyyjältä edellyttäen, että tuotetta on tämän ajanjakson aikana käytetty vain yksivuorotyössä. Jos tuotetta on käytetty useassa vuorossa peräkkäin, takuun kattama ajanjakso lyhenee suhteessa tuotteen käyttöön.
2. Jos tuotteessa ilmenee takuuajan valmistus- tai materiaaliivika, se on palautettava Desoutter:lle tai sen jälleenmyyjälle, ja väitetystä viasta on annettava lyhyt selvitys. Desoutter korjaa tai vaihtaa harkintansa mukaan ilmaiseksi sellaiset tuotteet, joissa havaitaan valmistustai materiaaliivika.
3. Takuu ei ole voimassa, jos tuotetta on käytetty virheellisesti tai muutettu tai jos sen korjaamisessa on käytetty muita kuin alkuperäisiä Desoutter-varaosia tai jos korjauksen on suorittanut joku muu kuin Desoutter tai sen valtuuttama jälleenmyyjä.
4. Jos Desoutter:lle aiheutuu kuluja sellaisen vian korjaamisesta vian aiheutuessa tuotteen virheellisestä käytöstä, vahingosta tai luvattomasta muuttamisesta, Desoutter vaatii näiden kulujen korvaamisen kokonaisuudessaan.
5. Desoutter ei ota vastaan minkäänlaisia viallisista tuotteista esitettyjä työkuluihin tai muihin kustannuksiin liittyviä maksuvaateita.
6. Takuu ei kata minkäänlaisia vikojen mahdollisesti aiheuttamia suoranaisia, satunnaisia tai käytön aikana aiheutuvia kustannuksia.
7. Tämä takuu annetaan kaikkien muiden suoraan tai epäsuoraan vaikuttavien takuiden tai ehtojen asemesta tuotteen laatuun, myyntikelpoisuuteen tai tiettyyn tarkoitukseen sopivuuteen nähden.
8. Desoutter:n jälleenmyyjällä, palveluhenkilöstöllä tai työntekijöillä ei ole valtuuksia tehdä mitään lisäyksiä tai muutoksia tämän rajoitetun takuun ehtoihin.

**Originalinstruktioner.**

© Copyright 2020, Ets Georges Renault 44818  
St Herblain, FR

Alla rättigheter förbehållna. All icke-auktorerad användning eller kopiering av innehållet eller del därav är förbjuden. Detta gäller speciellt för varumärken, modellbeteckningar, komponentnummer och ritningar. Använd endast originaldelar. Skador eller funktionsstörningar, som vållas av att andra delar används omfattas inte av garantin eller produktansvaret.

**ANVÄNDNINGSPUPPGIFT**

Tryckluftsverktyg för nitning med nitar med skaftdiameter 1/8" (3.2mm) och 3/16" (4.8mm).

Ingen annan användning är tillåten.

Reserverad för en professionell användning.

**KRAV FÖR LUFTTILLFÖRSEL**

Verktyget är konstruerat för ett driftryck på 6,2 bar (90 psig). Tryckluften skall vara ren. Installation av ett filter rekommenderas. För maximal effektivitet och verkningsgrad bör föreskrivna egenskaper hos luftmatarslangen innehållas. (Anslutning av tryckluft, se figur nr 1).

- Tillför verktyget 6,2 bar (90 psig) ren, torr luft. Ett högre tryck reducerar verktygets livslängd.
- Anslut verktyget till luftledningen med rör-, slang- och skruvförbindningsstorlekar enligt diagrammet.

**DATA**

Se sid. 3.

**Buller- och vibrationsdeklaration**

Se sid. 33.



Vibrationsnivåer.



Ljudnivåer.

**a<sub>hd</sub>**, **a<sub>h</sub>**: Vibrationsnivåer.

**K / K<sub>pA</sub>** = **KWA** = **3 dB** : Osäkerhet.

**L<sub>pA</sub>** : Ljudtrycksnivå.

**L<sub>WA</sub>** : Ljudeffektnivå.

Alla värden gäller vid publikationsdatum för detta dokument. För senaste information, besök [www.desouttertools.com](http://www.desouttertools.com).

De här fastställda värdena erhöles genom laboratorieprover i överensstämmelse med uppgivna standarder och är ej lämpliga för riskutvärderingar. Värden som uppmätts på individuella arbetsplatser kan vara högre än de fastställda värdena.

De faktiska exponeringsvärdena och risken för skada för en individuell användare är unik och beror på det sätt som användaren arbetar, arbetsstycket och arbetsplatsens konstruktion, såväl som på exponeringstiden och användarens fysiska tillstånd.

Vi, Desoutter, kan ej hållas ansvariga för följder vid användning av fastställda värden istället för värden som återkastar den faktiska exponeringen för en individuell riskutvärdering i en situation på en arbetsplats, över vilken vi ej har någon kontroll.

Detta verktyg kan orsaka vibrationssyndrom på handen-armen om verktyget inte hanteras på rätt sätt. Det finns EU-guide angående hantering av hand-arm vibrationer på [http://www.pneurop.eu/uploads/documents/pdf/PN3-02-NV\\_Declaration\\_info\\_sheet\\_0111.pdf](http://www.pneurop.eu/uploads/documents/pdf/PN3-02-NV_Declaration_info_sheet_0111.pdf)

För att förebygga eventuella framtida åkommor rekommenderar vi att hälsokontroller genomförs för att upptäcka tidiga symptom som kan bero på vibrationsrelaterade arbetsuppgifter.



## SMÖRJNING



Använd en luftledningslubrikator med luftverkygets olja justerat till två droppar/min. Om en luftledningslubrikator inte kan användas, fyll på oljan i inloppet en gång om dagen.

## UNDERHÅLLSINSTRUKTIONER

- Ta isär och inspektera luftmotorn och kopplingen var tredje månad om verkytet används varje dag.
- Byt ut skadade och slitna delar.
- Delar med svår slitning har understrukits i listan över reservdelar.



Användning av andra reservdelar än originalreservdelar kan leda till försämrade prestanda, ett ökat underhåll och kan upphäva alla garantier från tillverkaren.



För att uppnå maximal effektivitet hos tryckluftswerkytet, för att upprätthålla dess egenskaper och undvika löpande reparationer, bör ett översyns- och reparationsprogram upprättas för detta verktyg som skall genomföras minst var 500 : e timme. Intervallen mellan dessa översyner beror på hur hårda arbetsförhållandena för verkytet är.



För omhändertagandet av komponenter, smörjmedel, etc... se till att säkerhetsprocedurerna tillämpas.

## DESOUTTER-GARANTI

1. Den här Desoutter-produkten omfattas av garanti mot felaktig tillverkning eller felaktigt material under högst 12 månader fr.o.m. inköpsdatum från Desoutter eller dess agenter, förutsatt att användningen av den är begränsad till enskiftsdrift under den perioden. Vid högre användningsnivå än för enskiftsdrift minskas garantiperioden procentuellt i förhållande till användningsnivån.
2. Om produkten under garantiperioden verkar vara felaktig vad gäller tillverkning eller material ska den returneras till Desoutter eller dess agenter, tillsammans med en kort beskrivning av felet. Desoutter ska, enligt eget gottfinnande, kostnadsfritt ordna med reparation eller ersätta sådana artiklar som bedöms vara defekta p.g.a. felaktig tillverkning eller felaktigt material.
3. Den här garantin gäller inte för produkter som vanvårdats, använts på fel sätt eller modifierats, eller har reparerats med andra reservdelar än äkta Desoutter-reservdelar eller av någon annan än Desoutter eller dess auktoriserade serviceagenter.
4. Om Desoutter ådrar sig någon kostnad för rättning av fel som orsakats av vanvård, felaktig användning, oavsiktliga skador eller obehörig modifiering kommer fullständig ersättning av den aktuella kostnaden att krävas.
5. Desoutter accepterar inga krav för arbete eller andra insatser som görs för felaktiga produkter.
6. Alla eventuella direkta skador eller följskador som uppstår genom en defekt undantas uttryckligen.
7. Den här garantin ersätter alla övriga garantier eller villkor, uttryckta eller underförstådda, vad gäller kvalitet, säljbarhet eller lämplighet för ett visst ändamål.
8. Ingen, vare sig agenter, tjänstemän eller anställda hos Desoutter, är behörig att lägga till eller ändra villkoren i den här begränsade garantin på något sätt.

**Opprinnelige instruksjoner.**

© Copyright 2020, Ets Georges Renault 44818  
St Herblain, FR

Alle rettigheter forbeholdes. All ikke-autorisert anvendelse eller kopiering av innhold eller deler av dette, er forbudt. Dette gjelder spesielt varemerker, modellbetegnelser, delenummer og tegninger. Bruk kun originaldeler. Skader eller funksjonsforstyrrelser som følge av at uoriginale deler er blitt brukt, omfattes ikke av garantien eller fabrikantens produktansvar.

**BRUKSERKLÆRING**

Elektrisk kompresjonsverktøy designet for nagling ved bruk av naglinnstilt skaftdiameter 1/8" (3.2mm) og 3/16" (4.8mm).

Maskinen må ikke brukes til noen annen funksjon.

Forbeholdt profesjonell bruk.

**LUFTFORSYNINGSKRAV**

Verktøyet er beregnet på å fungere med trykk på 6,2 bar (90 psig). Trykkluften skal være ren. Det anbefales å installere et filter. For å oppnå maksimal effektivitet og ytelse, skal man overholde spesifikasjonene som gjelder for lufttilførselen (antistatisk luftslange). (Tilkopling av trykkluft, se tegning nr. 1).

- Verktøyet tilføres 90 psig (6,2 bar) av ren, tørr luft. Høyere trykk reduserer verktøyets levetid.
- Verktøyet tilkoples luftledningen ved hjelp av rør, slanger og monteringsstørrelser slik som vist i diagrammet.

**TEKNISKE DATA**

Se side 3.

**Opplysninger om støy og vibrasjon**

(Se side 33).



Vibrasjonsnivå.



Lydnivå.

**a<sub>hd</sub>**, **a<sub>h</sub>**: Vibrasjonsnivå.

**K / K<sub>pA</sub>** = **K<sub>WA</sub>** = **3 dB** : Usikkerhet.

**L<sub>pA</sub>** : Lydtrykksnivå.

**L<sub>WA</sub>** : Lydtrykknivå.

Alle verdier er aktuelle ved dato for denne utgivelsen. For siste informasjon vennligst besøk [www.desouttertools.com](http://www.desouttertools.com).

Opplyste verdier ble oppnådd ved tester som brukes i laboratorier i overensstemmelse med uttalte standarder og er ikke tilstrekkelige til bruk ved risikovurdering. Verdier målt på enkeltarbeidsplasser kan være høyere enn opplyste verdier.

Faktiske eksponeringsverdier og risiko for skade som erfares av en enkelt bruker er unike og er avhengig av måten brukeren arbeider på, arbeidsstykket og arbeidsstasjonens utforming, så vel som eksponeringstid og brukerens fysiske tilstand.

Vi, Desoutter, kan ikke holdes ansvarlige for konsekvenser ved bruk av opplyste verdier isteden for verdier som reflekterer faktisk eksponering, og den enkeltes risikovurdering i en situasjon på arbeidsplassen som vi ikke har kontroll over.

Verktøyet kan forårsake hånd/armvibrasjonssyndrom hvis bruken ikke håndteres på riktig måte. En EU-veiledning om styring av hånd-armvibrasjon er å finne på [http://www.pneurop.eu/uploads/documents/pdf/PN3-02-NV\\_Declaration\\_info\\_sheet\\_0111.pdf](http://www.pneurop.eu/uploads/documents/pdf/PN3-02-NV_Declaration_info_sheet_0111.pdf)

Vi anbefaler at bedriftshelsetjenesten gjennomfører et program for å avdekke tidlige tegn på vibrasjonseksponering, slik at prosedyrene kan endres for å bidra til å unngå fremtidig svekkelse.

## SMØRING



Bruk en luftledningssmørenippel med luftverktøysoljen justert til to dråper i minuttet. Hvis en luftledningssmørenippel ikke kan brukes, må olje tilføres innløpet en gang om dagen.

## VEDLIKEHOLDSANVISNINGER

- Demonter og kontroller trykkluftmotor og slagclutch hver tredje måned dersom verktøyet brukes hver dag.
- Skadede eller slitte deler må erstattes.
- De slitesterke delene har blitt understreket på reservedelslisten.



Bruk av uoriginale reservedeler kan medføre reduserte ytelser, økt vedlikeholdskrav og sterkere vibrasjoner, og kan medføre annullering av fabrikantens garanti.



For at det pneumatiske redskapet skal fungere så effektivt som mulig, bør du ta godt vare på delene og unngå gjentatte reparasjoner. Det anbefales å sette opp et program for vedlikehold og reparasjon av dette redskapet ca. for hver 500 brukstimer. Intervallene for vedlikehold er avhengige av bruksforholdene.



For eliminering av komponenter, smøremidler, osv., skal man påse at alle sikkerhetsforskrifter blir overholdt.

## DESOUTTER-GARANTI

1. Dette Desoutter-produktet leveres med garanti mot defekter i utførelsen eller materialet i opptil 12 måneder etter datoen da produktet ble kjøpt av Desoutter eller dets agenter, forutsatt at bruken av produktet er begrenset til enkeltskiftdrift i denne perioden. Hvis bruken overgår enkeltskiftdrift, reduseres garantiperioden tilsvarende.
2. Hvis produktet i løpet av garantiperioden ser ut til å ha defekter i utførelsen eller materialet, skal produktet returneres til Desoutter eller dets agenter sammen med en kort beskrivelse av feilen. Desoutter skal, etter eget skjønn, kostnadsfritt reparere eller erstatte produkter som de mener har defekter i utførelsen eller materialet.
3. Garantien gjelder ikke for produkter der defekten skyldes feil bruk, misbruk eller endringer av produktet, eller produkter som har blitt reparert uten bruk av ekte reservedeler fra Desoutter, eller hvis reparasjonen har blitt utført av andre enn Desoutter eller dets autoriserte serviceagenter.
4. Hvis Desoutter pådrar seg utgifter ved reparasjoner som skyldes feil bruk, misbruk, uhell eller uautoriserte endringer, må alle slike kostnader bæres av kunden.
5. Desoutter godtar ingen erstatningskrav vedrørende arbeidskostnader eller andre utgifter i forbindelse med defekte produkter.
6. Desoutter fraskriver seg uttrykkelig ethvert erstatningsansvar når det gjelder direkte, tilfeldige eller påfølgende kostnader som skyldes defekte produkter.
7. Garantien gis i stedet for alle andre garantier eller betingelser, enten disse er uttrykte eller underforståtte, når det gjelder kvalitet, salgbarhet eller egnethet for noe som helst formål.
8. Ingen, verken agenter, tjenesteytere eller ansatte hos Desoutter, har rett til å utvide eller endre vilkårene i denne begrensede garantien på noen som helst måte.

## Opriidelige anvisninger.

© Copyright 2020, Ets Georges Renault 44818  
St Herblain, FR

Alle rettigheder forbeholdes. Indholdet eller dele deraf må ikke anvendes eller kopieres uden tilladelse. Dette gælder i særdeleshed varemærker, modelbetegnelser, delnumre og tegninger. Brug kun originale dele. Beskadigelse eller svigt som følge af brug af uoriginale dele er ikke dækket af garantien eller produktansvaret.

## ERKLÆRING OM BRUG

Elektrisk kompressionsværktøj konstrueret til nitning med en nitneskaftdiameter på 1/8" (3.2mm) og 3/16" (4.8mm).

Al anden brug er forbudt.

Forbeholdt professionel brug.

## LUFTFORSYNING



Værktøjet er designet til et arbejdsstryk på 6,2 bar (90 psig). Tryklufften skal være ren. Det tilrådes at installere et filter. For maksimal effektivitet og ydelse skal tryklufftslangens specifikationer overholdes. (Tryklufftilslutning, se tegning Nr. 1).

- Værktøjet skal forsynes med ren, tør luft ved 6,2 bar (90 psig). Højere tryk afkorter værktøjets levetid.
- Værktøjet tilsluttes til luftforsyningen ved hjælp af rør, slanger og fittings i de i diagrammet viste dimensioner.

## DATA

Se side 3.

## Støj- og vibrationsdeklaration

Se side 33.



Vibrationsniveau.



Støjniveau.

**a<sub>hd</sub>**, **a<sub>h</sub>**: Vibrationsudsendelse.

**K / K<sub>pA</sub>** = **K<sub>WA</sub>** = **3 dB** : Usikkerhed.

**L<sub>pA</sub>** : Lydtryksniveau.

**L<sub>WA</sub>** : Lydeffekt.

Alle værdier er aktuelle på datoen for denne publikation. Se [www.desouttertools.com](http://www.desouttertools.com) for at få de seneste oplysninger.

De ovenstående værdier blev opnået under laboratorieforsøg i overensstemmelse med de ovenstående standarder og er ikke tilstrækkeligt grundlag til vurdering af risiko forbundet med brug af udstyret. Værdier målt på det individuelle arbejdsområde kan være højere end de ovennævnte værdier.

Den faktiske udsættelse for skadelig støj eller vibration og den risiko, der opleves af brugeren, er enestående afhængige af den måde, individet arbejder på, og hvordan arbejdsområdet er anlagt, såvel som udsættelsens varighed og brugerens fysiske kondition.

Vi, Desoutter, kan ikke påtage os noget ansvar for anvendelse af de ovenstående værdier i stedet for anvendelse af værdier, der er opnået i den faktiske arbejdssituation, som grundlag for vurdering af risiko forbundet med brug i en arbejdssituation, vi ikke har nogen kontrol over.

Dette værktøj kan fremkalde hånd-armvibrationsyndrom, hvis brugen af det ikke styres på hensigtsmæssig vis. En EU-vejledning i styring af hånd-arm-vibration kan findes på [http://www.pneurop.eu/uploads/documents/pdf/PN3-02-NV\\_Declaration\\_info\\_sheet\\_0111.pdf](http://www.pneurop.eu/uploads/documents/pdf/PN3-02-NV_Declaration_info_sheet_0111.pdf)

Vi anbefaler et helbredsovervågningsprogram, så tidlige symptomer på vibrationseksponering kan blive opdaget, og delsesprocedurerne kan ændres mhp. at forebygge fremtidige skader.

## SMØRING



Brug et på luftforsyningen indskudt smøreaggregat, der er justeret til to dråber pr. minut. Kan et sådant smøreaggregat ikke anvendes, tilføres olie i tilslutningsåbningen en gang om dagen.

## VEDLIGEHODELSESIKSTRUKTIONER

- Hvis værktøjet bruges hver dag, skal ventilator og kobling adskilles og kontrolleres hver tredje måned.
- Udsift beskadigede eller slidte dele.
- Dele, der udsættes for stort slid, er understreget i reservedelslisten.



Anvendelsen af andre reservedele end de originale kan medføre formindsket ydelse, større vedligeholdelse og vibrationsudsendelse og kan annullere alle fabrikantens garantier.



For at opnå maksimal effektivitet af trykluftværktøjet, bevare dets specifikationer og undgå efterfølgende reparationer, tilrådes det at oprette et eftersyns- og reparationsprogram for dette værktøj mindst hver 500 timer. Hyppigheden af disse eftersyn afhænger af, hvor hårdt arbejde, der skal udføres.



Ved bortskaffelse af komponenter, smøremidler, osv. skal man sikre sig, at sikkerhedsreglerne er overholdt.

## DESOUTTER GARANTI

1. Dette Desoutter produkt er garanteret mod defekter i udførelse eller materialer for en periode på maks. 12 måneder efter den dato, det er købt hos Desoutter eller dennes forhandlere, under forudsætning af at dets brug er begrænset til enkeltholdsdrift i hele perioden. Hvis produktet bruges til skifteholdsdrift, reduceres garantiperioden forholdsmæssigt.
2. Hvis produktet i løbet af garantiperioden viser sig at være defekt i udførelse eller materiale, skal det returneres til Desoutter eller dennes forhandlere, sammen med en kort beskrivelse af den påståede defekt. Desoutter vil, efter eget skøn, sørge for reparation eller udskiftning af de dele, der anses for at være defekte i udførelse eller materiale uden beregning.
3. Denne garanti bortfalder for produkter, der er blevet misbrugt, brugt forkert eller ændret, eller er blevet repareret med reservedele, som ikke er originale Desoutter reservedele, eller af andre end Desoutter eller dennes autoriserede forhandlere.
4. Hvis Desoutter skulle have omkostninger i forbindelse med korrigering af en defekt som følge af misbrug, forkert brug, hændeligt uheld eller uautoriserede ændringer, vil Desoutter kræve, at disse udgifter bliver godtgjort fuldt ud.
5. Desoutter accepterer ikke krav om arbejds løn eller andre udgifter i forbindelse med de defekte produkter.
6. Alle direkte eller hændelige skader eller følgeskader, der måtte opstå som følge af en defekt, er ikke omfattet af denne garanti.
7. Denne garanti gives i stedet for andre garantier, eller betingelser, udtrykkelige eller underforståede, med hensyn til kvaliteten, salgbarheden eller egnetheden til et bestemt formål.
8. Ingen, hverken forhandlere, assistenter eller andre medarbejdere hos Desoutter, er på nogen måde autoriseret til at indsætte tilføjelser til eller foretage ændringer i betingelserne for denne begrænsede garanti.

**Originele instructies.**

© Copyright 2020, Ets Georges Renault 44818  
St Herblain, FR

Alle rechten voorbehouden. Het zonder toestemming gebruiken of kopiëren van de inhoud of delen daarvan is verboden. Dit is in het bijzonder van toepassing op gedeponeerde handelsmerken, modelaanduidingen, onderdeelnummers en tekeningen. Gebruik alleen goedgekeurde onderdelen. Schade of defekten die veroorzaakt zijn door het gebruik van niet-goedgekeurde onderdelen vallen niet onder de garantiebepalingen van het product en de fabrikant kan niet verantwoordelijk worden gesteld.

**GEBUIKSVERKLARING**

Elektrisch gereedschap ontwikkeld voor het aanbrengen van nagels met een steeldiameter van 1/8" (3.2mm) en 3/16" (4.8mm).  
Geen enkele andere toepassing is toegelaten.  
Uitsluitend bestemd voor professioneel gebruik.

**VEREISTEN VOOR LUCHTTOEVOER**

Het gereedschap is geschikt voor een gebruiksdruk van 6,2 bar (90 psig). De perslucht moet schoon zijn. De installatie van een filter is aanbevolen. Voor een maximale doeltreffendheid en rendement moeten de eigenschappen van de slang voor luchttoevoer (antistatische slang) in acht genomen worden (Aansluiting perslucht zie afb. nr.1).

- Voorzie het gereedschap van schone, droge lucht van 90 psig (6,2 bar). Bij een hogere druk wordt de levensduur van het gereedschap verkort.
- Sluit het gereedschap aan met pijp, slang en koppelstuk van de in het diagram aangegeven maten.

**GEGEVENS**

Zie pagina 3.

**Verklaring m.b.t. geluid en trillingen**

Zie pagina 33.



Vibratieniveaus.



Geluidsniveaus.

**a<sub>hd</sub>**, **a<sub>h</sub>**: Vibratieniveaus.

**K / K<sub>pA</sub> = K<sub>WA</sub> = 3 dB** : Onzekerheid.

**L<sub>pA</sub>** : Geluidsdrukniveau.

**L<sub>WA</sub>** : Geluidsvermogeniveau.

Alle waarden zijn geldig vanaf de datum van deze publicatie. Bezoek voor de meest recente informatie [www.desouttertools.com](http://www.desouttertools.com)

Deze opgegeven waarden zijn verkregen uit laboratoriumtests overeenkomstig de opgegeven normen en zijn niet voldoende voor gebruik in risicobeoordeling.

Op individuele werkplekken gemeten waarden kunnen hoger zijn dan de opgegeven waarden. De feitelijke blootstellingswaarden en het door een individuele gebruiker ervaren risico van letsel zijn uniek en hangen af van de manier waarop de gebruiker werkt, het ontwerp van het werkstuk en het werkstation alsook van de blootstellingstijd en de fysieke conditie van de gebruiker.

Wij, Desoutter, kunnen niet aansprakelijk worden gesteld voor de gevolgen van het gebruik van de opgegeven waarden, in plaats van waarden die de feitelijke blootstelling weergeven, bij een individuele risicobeoordeling op een werkpleksituatie waarover wij geen controle hebben.

Dit gereedschap kan het hand-armtrillingssyndroom veroorzaken als het niet correct wordt gebruikt. Een EU-richtlijn voor het beheren van hand-arm-trillingen treft u aan op de website [http://www.pneurop.eu/uploads/documents/pdf/PN3-02-NV\\_Declaration\\_info\\_sheet\\_0111.pdf](http://www.pneurop.eu/uploads/documents/pdf/PN3-02-NV_Declaration_info_sheet_0111.pdf)

Wij adviseren een gezondheidscontrole op te zetten om al in een vroegstadium symptomen te kunnen waarnemen die gerelateerd zouden kunnen zijn aan blootstellingen aan trillingen, zodat managementprocedures aangepast kunnen worden om toekomstig letsel te voorkomen.

## SMERING



Gebruik een luchtleidingvernevelaar en stel de olie voor het luchtgereedschap af op twee druppels per minuut. Als geen luchtleidingvernevelaar kan worden gebruikt, breng dan eenmaal per dag olie in de inlaat aan.

## ONDERHOUDSINSTRUCTIES

- Demonteer en inspecteer de luchtmotor en de slagkoppeling om de drie maanden indien het gereedschap dagelijks wordt gebruikt.
- Vervang beschadigde of versleten onderdelen.
- Slijtdelen zijn in de onderdelenlijst onderstreept.



Het gebruik van niet oorspronkelijke onderdelen kan leiden tot vermindering van het prestatievermogen, vermeerdering van onderhoudswerkzaamheden en kan alle garanties ten opzichte van de fabrikant ongeldig doen worden.



Om een maximale doeltreffendheid van het pneumatische gereedschap te bereiken, diens eigenschappen in stand te houden en herhaalde reparaties te voorkomen wordt aanbevolen een inspectie- en reparatieprogramma tot stand te brengen voor dit gereedschap, en wel om de 500 uur. Het tijdschema van deze inspecties is afhankelijk van de ernstigheid van het uit te voeren werk.



Voor verwijdering van onderdelen, smeerolie, enz. allereerst zekerstellen dat de veiligheidsvoorschriften gevolgd zijn.



## DESOUTTER-GARANTIEVOORWAARDEN

1. Dit Desoutter-product is gegarandeerd tegen materiaal- en/of constructiefouten, voor een maximumperiode van 12 maanden volgend op de datum van aankoop bij Desoutter of een van haar vertegenwoordigers, op voorwaarde dat het gebruik gedurende die periode wordt beperkt tot gebruik in éénploegendienst. Wanneer het gereedschap langer dan in éénploegendienst wordt gebruikt, wordt de garantieperiode naar rato verkort.
2. Wanneer het product tijdens de garantieperiode materiaal- of constructiefouten vertoont, dient het te worden geretourneerd naar Desoutter of een van haar vertegenwoordigers, met een korte omschrijving van het vermoedelijke defect. Desoutter zal, naar eigen oordeel, overgaan tot kosteloze reparatie of vervanging, wanneer blijkt dat het defect wordt veroorzaakt door materiaal- of constructiefouten.
3. Deze garantie komt te vervallen wanneer blijkt dat producten zijn misbruikt, onjuist behandeld of wanneer zij zijn gerepareerd met andere dan de originele Desoutter-reservedelen, of door anderen dan Desoutter of diens geautoriseerde onderhoudsvertegenwoordigers.
4. Wanneer Desoutter wordt geconfronteerd met kosten voor het herstel van een defect ten gevolge van misbruik, onjuiste behandeling, schade door ongeval of door ongeoorloofde wijziging, dienen deze kosten volledig vergoed te worden.
5. Desoutter is niet aansprakelijk voor werkzaamheden of andere gemaakte kosten met betrekking tot defecte producten.
6. Elke directe, bijkomende of gevolgschade ten gevolge van een defect wordt nadrukkelijk uitgesloten.
7. Deze garantie wordt verstrekt in plaats van alle overige garanties of condities, expliciet of impliciet, met betrekking tot de kwaliteit, verhandelbaarheid of geschiktheid voor enig bepaald doel.
8. Niemand, met inbegrip van vertegenwoordigers en werknemers van Desoutter, heeft het recht om iets aan de voorwaarden van deze beperkte garantie toe te voegen of deze op enigerlei wijze te veranderen.

*blank page*



## NOISE AND VIBRATION EMISSION

| Model         | Part number |  ISO 8662-1 |  ISO 15744 |
|---------------|-------------|----------------------------------------------------------------------------------------------|---------------------------------------------------------------------------------------------|
|               |             | $a_h$<br>m/s <sup>2</sup>                                                                    | $L_{pA}$<br>dB(A)                                                                           |
| CP0214ANBEL   | T012343     | < 2.5                                                                                        | 90                                                                                          |
| CP0214ANFEL   | T018671     |                                                                                              |                                                                                             |
| CP0214ANGEL   | T018672     |                                                                                              |                                                                                             |
| CP0214ANPEL   | T019138     |                                                                                              | 96                                                                                          |
| CP0214ENBEL   | T018678     |                                                                                              |                                                                                             |
| CP0214ENFEL   | T018163     |                                                                                              | 90                                                                                          |
| CP0214ENCEL-5 | 6151710170  |                                                                                              |                                                                                             |
| CP0214ENGEL   | T018164     |                                                                                              |                                                                                             |
| CP0214ENPEL   | T018997     |                                                                                              |                                                                                             |
| CP0214CELEL   | T012344     |                                                                                              |                                                                                             |
| CP0214CEREL-5 | 6151710160  |                                                                                              |                                                                                             |
| CP0214CENEL   | T018677     |                                                                                              |                                                                                             |
| CP0214FALEL   | T013152     |                                                                                              |                                                                                             |
| CP0214FAREL-5 | 6151710150  |                                                                                              |                                                                                             |
| CP0214FANEL   | T018430     |                                                                                              |                                                                                             |
| CP0214KETEL   | T023475     |                                                                                              |                                                                                             |
| CP0214SETEL   | T023474     |                                                                                              |                                                                                             |



(1)

**DECLARATION OF CONFORMITY****(Fr) DECLARATION DE CONFORMITE**

Hammer, hamer, hammare, hammer, hammer, Vasarahinta, Martillo, Martelo, martello, σούπι, kladivo, kalapácsot, plaktukas, kladivo, mlot, kladivo, амурс, 錘, молота, 망치, ハンマ, çekiç, ciocan, čekič, чук.

**DEUTSCH (GERMAN)** (1) **EG-KONFORMITÄTSERKLÄRUNG** - (2) Wir, **DESOUTTER**- (3) Technische Datei beim EU - (4) erklären hiermit, daß das (die) Produkt(e) : - (5) Typ(en) : - (6) Produktherkunft - (7) den Anforderungen der EG-Richtlinie zur Angleichung der Rechtsvorschriften der Mitgliedsstaaten - (8) für "**Maschinen**" **2006/42/EG** (17/05/2006) - (11) geltende harmonisierte Norme(n) - (12) NAME und EIGENSCHAFT des Ausstellers : - (13) Datum - (14) und Superior.

**NEDERLANDS (DUTCH)** (1) **E.G.-VERKLARING VAN OVEREENSTEMMING** - (2) De firma : **DESOUTTER**- (3) Technisch bestand verkrijgbaar - (4) verklaart hierbij dat het (de) produkt(en) : - (5) type : - (6) Herkomst van het product - (7) in overeenstemming is (zijn) met de vereisten van de richtlijn van de Raad inzake de onderlinge aanpassing van de wetgevingen van de lidstaten betreffende : (8) "**machines**" **2006/42/CEE** (17/05/2006) - (11) geldige geharmoniseerde norm(en) - (12) NAAM en FUNCTIE van de opsteller : - (13) Datum - (14) Of hoger.

**SVENSKA (SWEDISH)** (1) **EG-DEKLARATION OM ÖVERENSSTÄMMELSE** - (2) Vi **DESOUTTER**- (3) Teknisk fil tillgänglig från - (4) Förklarar att maskinen : - (5) Maskintyp : - (6) Produktens ursprung - (7) För vilken denna deklARATION gäller, överensstämmer med kraven i Ministerrådets direktiv om harmonisering av medlemsstaternas lagar rörande - (8) "**maskiner**" **2006/42/EEG** (17/05/2006) - (11) Harmoniserade standarder som tillämpats : - (12) Utfärdarens namn och befattning : - (13) Datum : - (14) Eller högre.

**NORSK (NORWEGIAN)** (1) **EF ERKLÆRING OM OVERENSSTEMMELSE** - (2) Vi Ets **DESOUTTER**- (3) Teknisk dokument tilgjengelig - (4) Erklærer at produktet/produktene : - (5) av type : - (6) Produktets opprinnelse - (7) er i overensstemmelse med de krav som finnes i Ministerrådets direktiver om tilnærming av Medlemsstatenes lover vedrørende : - (8) "**maskiner**" **2006/42/EF** (17/05/2006) - (11) Harmoniserende standarder som er anvendt : - (12) Utsteders navn og stilling : - (13) Dato : - (14) Eller høyere

**DANSK (DANISH)** (1) **EF OVERENSSTEMMELSESERKLÆRING** - (2) Vi **DESOUTTER**- (3) Teknisk dokument kan fås på - (4) erklærer at produktet(er) : - (5) type : - (6) Produktets oprindelse - (7) er i overensstemmelse med Kravene i Rådets Direktiv vedr. tilnærmelse mellem medlemslandenes love for - (8) "**maskiner**" **2006/42/EF** (17/05/2006) - (11) Gældende harmoniserede standarder : - (12) Udsteder, navn og stilling : - (13) Dato - (14) Og højere

**SUOMI (FINNISH)** (1) **ILMOITUS YHDENMUKAISUUDESTA** **EY** - (2) Me **DESOUTTER**- (3) Tekniset tiedot saa EU:n - (4) vakuutamme, että tuote / tuotteet : - (5) tyypin(-pit) : - (6) Tekniset tiedot saa EU:n - (7) on / ovat yhdenmukainen(-sia) neuvoston jäsenmaiden läinsääntöä koskevien direktiivin vaatimusten kanssa, jotka koskevat : - (8) "**koneita**" **2006/42/EY** (17/05/2006) - (11) yhdenmukaistettu(-tut) soveltuvaa(t) standardi(-t) : - (12) ilmoituksen antajan NIMI ja ASEMA - (13) Päiväys - (14) Tai suurempi

**ESPAÑOL (SPANISH)** (1) **DECLARACION DE CONFORMIDAD CE** - (2) Nosotros **DESOUTTER**- (3) Archivo técnico disponible en - (4) declaramos que el producto : - (5) tipo de máquina : - (6) Origen del producto - (7) es conforme a los requisitos de la Directiva del Consejo sobre la aproximación de las leyes de los Estados Miembros con relación - (8) a la "**maquinaria**" **2006/42/CE** (17/05/2006) - (11) normas armonizadas aplicadas : - (12) Nombre y cargo del expedidor : - (13) Fecha - (14) en adelante

**PORTUGUÊS (PORTUGUESE)** (1) **DECLARAÇÃO DE CONFORMIDADE CE** - (2) Nós **DESOUTTER**- (3) Ficheiro técnico disponível na - (4) declaramos que o produto : - (5) tipo de máquina : - (6) Origem do produto - (7) está em conformidade com os requisitos da Directiva do Conselho, referente às legislações dos Estados-membros relacionados com : - (8) "**maquinaria**" **2006/42/CE** (17/05/2006) - (11) Normas harmonizadas aplicáveis : - (12) Nome e cargo do emissor : - (13) Data : - (14) Ou superior

**ITALIANO (ITALIAN)** (1) **DICHIARAZIONE DI CONFORMITÀ CE** - (2) La Società : **DESOUTTER**- (3) File tecnico disponibile dal - (4) dichiara che il(i) prodotto(i) : - (5) tipo : - (6) Origine del prodotto, - (7) è (sono) in conformità con le esigenze previste dalla Direttiva del Consiglio, sulle legislazioni degli Stati membri relative : - (8) alle "**macchine**" **2006/42/CE** (17/05/2006) - (11) norma(e) armonizzata(e) applicabile(i) : - (12) NOME e FUNZIONE del dichiarante - (13) Data - (14) O superiore.

**ΕΛΛΗΝΙΚΑ (GREEK)** (1) **ΔΗΛΩΣΗ ΠΙΣΤΟΤΗΤΑΣ ΕΚ** - (2) Η εταιρεία : **DESOUTTER**- (3) Τεχνικός φάκελος διαθέσιμος - (4) δηλώνει υπεύθυνα ότι το(τα) προϊόν(-vra) : - (5) τύπου(-ων) : - (6) Προέλευση προϊόντος - (7) είναι σύμφωνο(-α) προς τις απαιτήσεις της Οδηγίας του Συμβουλίου που αφορά την προσαρμογή των νομοθεσιών των κρατών μελών τις σχετικές με : - (8) τα "**μηχανήματα**" **2006/42/EOK** (17/05/2006) - (11) εφαρμοστέο(-α) ενωμοποιημένο(-α) πρότυπο(-α) : - (12) ΟΝΟΜΑ και ΑΡΜΟΔΙΟΤΗΤΑ του δηλούντος : - (13) Ημερομηνία - (14) ή άνω

**ČESKY (CZECH)** (1) **PROHLÁŠENÍ O SOULADU S PŘEDPISY ES** - (2) My, firma **DESOUTTER**- (3) Technický soubor, dostupný - (4) prohlašujeme, že výrobek (výrobky) : - (5) typ přístroje (přístrojů) : - (6) Původ výrobku - (7) je v souladu s požadavky směrnice Rady EU o aproximaci práva členských států EU, a to v těchto oblastech : - (8) "**přístroje**" **2006/42/EC** (17/05/2006) - (11) *relevantní harmonizované normy* : - (12) Jméno a funkce osoby, která prohlášení vystavila - (13) Datum - (14) nebo vyšším

**MAGYAR (HUNGARIAN)** (1) **CE MEGFELELŐSÉGI NYILATKOZAT** - (2) Mi, az: **DESOUTTER**- (3) A műszaki leírás az EU-s - (4) kijelentjük, hogy a termék(ek) : - (5) géptípus(ok) : - (6) A műszaki leírás az EU-s - (7) megfelel(nek) a tagországok törvényeiben megfogalmazott, alábbiakban szereplő tanácsai Irányelvek követelményeinek : - (8) "**Gépek, berendezések**" **2006/42/EC** (17/05/2006) - (11) *alkalmazható harmonizált szabvány(ok)* : - (12) Kibocsátó neve és adatai - (13) Dátum : - (14) vagy nagyobb számú szerszámok

**LITUVIŠKAI (LITHUANIAN)** (1) **EB ATITIKTIES DEKLARACIJA** - (2) Mes: **DESOUTTER**- (3) Techninius duomenis galite - (4) pareiškiamo, kad gaminys(-iai) : - (5) mašinoms tipas(-ai) : - (6) Produkto kilmė - (7) atitinka Europos Tarybos Direktivų reikalavimus dėl valstybių narių įstatymų, susijusių : - (8) su "**mašinomis**" **2006/42/EB** (17/05/2006) - (11) *taikomi harmonizuoti standartai* : - (12) Išdavusio asmens pavardė ir pareigos - (13) Data - (14) arba didesnis

**SLOVENŠČINA (SLOVENIAN)** (1) **IZJAVA ES O SKLADNOSTI** - (2) Mi: **DESOUTTER**- (3) Tehnična kartoteka je na voljo - (4) izjavljamo, da je izdelek (oziroma izdelki) : - (5) vrsta stroja (oziroma vrste) : - (6) Izvor izdelka - (7) v skladu z zahtevami direktiv Sveta Evrope o približevanju zakonodaje držav članic glede : - (8) "**strojev**" **2006/42/ES** (17/05/2006) - (11) *veljavnih harmoniziranih standardov* : - (12) Ime in funkcija izdajatelja - (13) Datum - (14) ali višje

**POLSKI (POLISH)** (1) **UE –DEKLARACJA ZGODNOŚCI** - (2) My, firma **DESOUTTER**- (3) Plik techniczny jest dostępny w - (4) oświadczamy, że produkt (produkty) : - (5) urządzenie typu (typów) : - (6) Pochodzenie produktu - (7) jest (sa) zgodne z wymogami Dyrektywy

Rady, odpowiadającej ustawodawstwu krajów członkowskich i dotyczącej: - (8) "maszyn i urządzeń" 2006/42/UE (17/05/2006) - (11) stosowanych norm, wzajemnie zgodnych: - (12) Nazwisko i stanowisko wydającego deklarację: - (13) Data - (14) i wyższymi

**SLOVENSKY (SLOVAK)**

(1) **DEKLARÁCIA ER O SÚHLASE** - (2) My: **DESOUTTER** - (3) Technický súbor k dispozícii z - (4) prehlasujeme, že výrobok (y): - (5) strojový typ(y): - (6) Pôvod produktu alebo výrobu. - (7) zodpovedá požiadavkom Smerníc rady, týkajúcich sa aproximácie zákonov členských štátov, pre: - (8) "strojné zariadenia" 2006/42/EC (17/05/2006) - (11) *zodpovedajúce harmonizačné normy*. - (12) Meno a funkcia vystavovateľa dokladu - (13) Dátum - (14) alebo vyššie

**LATVISKI (LATVIAN)**

(1) **EK ATBILSTĪBAS DEKLARĀCIJA** - (2) Mēs, **DESOUTTER** - (3) Tehniskais fails pieejams ES - (4) deklarējam, ka šis (-ie) izstrādājums (-i): - (5) ierīces tips (-i): - (6) Izstrādājuma izcelsme - (7) atbilst Padomes Direktīvu prasībām par dalībvalstu likumu piemērošanu, kas attiecas uz: - (8) "mehānismiem" 2006/42/EK (17/05/2006) - (11) *spēkā esošajam (-iem) saskaņotajam (-iem) standartam (-iem)* - (12) Pieteicēja vārds un amats - (13) Datums - (14) vai augstāk

**中文 (CHINESE)**

(1) **EC 一致性声明** - (2) 我们: **DESOUTTER** - (3) 技术参数资料可以从EU总部获得 - (4) 声明其产品: - (5) 机器类型 - (6) 产品原产地 - (7) 符合会员国立法会议“决定”的相关要求: - (8) "机械" 2006/42/EC (17/05/2006) - (11) *适用协调标准* - (12) 发行者名称和地点 - (13) 日期 - (14) 和卓越

**РУССКИЙ (RUSSIAN)**

(1) **ДЕКЛАРАЦИЯ СООТВЕТСТВИЯ** - (2) Мы: **Ets DESOUTTER** - (3) Технический файл можно - (4) являем, что продукция: - (5) тип оборудования: - (6) Происхождение продукта - (7) соответствует требованиям директивы европейского совета относительно законодательств стран-участниц по: - (8) "Машинному оборудованию" 2006/42/EC (17/05/2006) - (11) *применяемые согласованные нормы*: - (12) Фамилия и должность составителя - (13) Дата - (14) ИЛИ Выше

**한국어 (KOREAN)**

(1) \*적합성 선언 -\* (2) 저희: \*DESOUTTER\* (3) EU 본사에서 기술 자료를 구할 수 있습니다. - (4) 다음 제품 (들) 이: - (5) 기계 유형 (들): - (6) 원산지 - (7) 다음과 관련된 회원 국가들의 법령의 일치에 관한 위원회 명령들의 요구조건에 적합함을 선언합니다: - (8) to "Machinery" 2006/42/EC\* (17/05/2006) - (11) 해당 조화된 표준 (들): - (12) 발급자의 명칭 및 위치: - (13) 날짜: - (14) 우수함

**日本語 (JAPANESE)**

(1) \*適合宣言書 -\* (2) 当社: \*DESOUTTER\* (3) 技術ファイルはEU - (4)は、本製品: - (5) 機種: - (6) 技術ファイルはEU - (7)の法律の近似化についての理事会指令の要件に準拠していることを宣言します。該当する欧州統一規格: (8) が、\*\*機械指令 2006/42/EC\* (17/05/2006) - (11) に関する加盟国: (12) 発行人の氏名と役職: - (13) 日付: - (14) 優れた

**Türkçe (TURKISH)**

(1) \*UYGUNLUK BEYANI -\* (2) Biz: \*DESOUTTER\* (3) *Teknik dosya AT genel* - (4) aşağıda belirtilen ürünün (ürünlerin): - (5) Makina türü (türleri): - (6) *Ürünün kökeni* - (7) aşağıdakiler ile ilgili Üye Ülkelerin kanun benzerliklerinde ilgili konsey yönetmelikleri gereksinimleri ile uygunluğunu beyan ederiz: - (8) "Makina Aksamı" 2006/42/EC\* (17/05/2006) - (11) uygulanabilir uyumlaştırılmış standart(lar): - (12) Beyan eden kişinin ADI ve UNVANI: - (13) Tarih: - (14) ya da üzeri aletler.

**LIMBA (ROMANIAN)**

(1) \*DECLARAȚIE DE CONFORMITATE -\* (2) Noi: \*DESOUTTER -\* (3) Fișierul tehnic disponibil de la - (4) declarăm că produsele: - (5) Mașini de Tip: - (6) Originea produsului - (7) sunt în conformitate cu cerințele Directivelor Consiliului în ce privește aproximarea legislației din Statele Membre relativ la: - (8) "Mașini Industriale" 2006/42/EC\* (17/05/2006) - (11) standardele armonizate aplicabile: - (12) NUMELE și FUNCȚIA emitentului: - (13) Data: - (14) și superior

**HRVATSKI (CROATIAN)**

(1) \*IZJAVA O SUKLADNOSTI -\* (2) Mi: \*DESOUTTER -\* (3) Tehnička arhiva dostupna je u - (4) izjavljujemo da je(su) proizvod(i): - (5) Tip(ovi) stroja: - (6) Podrijetlo proizvoda - (7) sukladan(ni) zahtjevima Direktiva Vijeća EU za usklađenje zakona zemalja članica koji se odnose na: - (8) to "Direktivu o strojevima" 2006/42/EC\* (17/05/2006) - (11) primjenjive harmonizirane standarde: - (12) NAZIV i SJEDIŠTE izdavača: - (13) Datum: - (14) ili višim

**Български (BULGARIAN)**

(1) \*ДЕКЛАРАЦИЯ ЗА СЪОТВЕТСТВИЕ -\* (2) Ние: \*DESOUTTER -\* (3) Техническата документация - (4) заявяваме, че продуктът(ите): - (5) Тип(ове) машини: - (6) Произход на продукта - (7) е в съответствие с изискванията на Директивите на Съвета във връзка с приближаване на законите на страните-членки относно: - (8) "Машини" 2006/42/EC\* (17/05/2006) - (11) приложим хармонизиран стандарт(и): - (12) ИМЕ и ДЛЪЖНОСТ на издаващия: - (13) Дата: - (14) ИЛИ повисок

(2) We :

*(Fr) Nous*

**Ets Georges Renault**  
**38 rue Bobby Sands**  
**44818 Saint Herblain - FR**

(3) Technical file available from EU headquarter.

*(Fr) Dossier technique disponible auprès du siège social*

**Pascal Roussy, R&D Manager**  
**Ets Georges Renault**  
**38 rue Bobby Sands – BP 10273**  
**44818 Saint Herblain – France**

(4) declare that the product(s):

*(Fr) déclarons que les produits*

marketed with the brand name :

*(Fr) Commercialisés sous la marque*

(5) Machine type(s) :

*(Fr) type(s)***SQUEEZE RIVETER & COMPRESSION TOOLS***(Fr) Riveteur pneumatique***DESOUTTER**

Box label : stick here

*Coller l'étiquette ici*

(6) Origin of the product : USA

*(Fr) Origine du produit*

(7) is in conformity with the requirements of the council Directives on the approximation of the laws of the Member States relating :

*(Fr) est (sont) en conformité avec les exigences de la Directive du conseil, concernant les législations des états membres relatives :*(8) to **"Machinery"** 2006/42/EC (17/05/2006)*(Fr) aux "machines" 2006/42/EC (17/05/2006)*

(11) applicable harmonised standard(s) : EN ISO 11148-10:2011

*(Fr) Norme(s) harmonisée(s) applicable(s) :*

(12) NAME and POSITION of issuer :

*(Fr) NOM et FONCTION de l'émetteur :*

**Pascal Roussy**  
**(R&D Manager)**

(13) Place &amp; date : Saint Herblain , 03/06/2016

*(Fr) Place et date*